



## **Bentone STG 120-146**

Reservdelar och tillbehör

Spare Parts and Accessories

Ersatzteile und Zubehör

Pièces détachées et accessoires

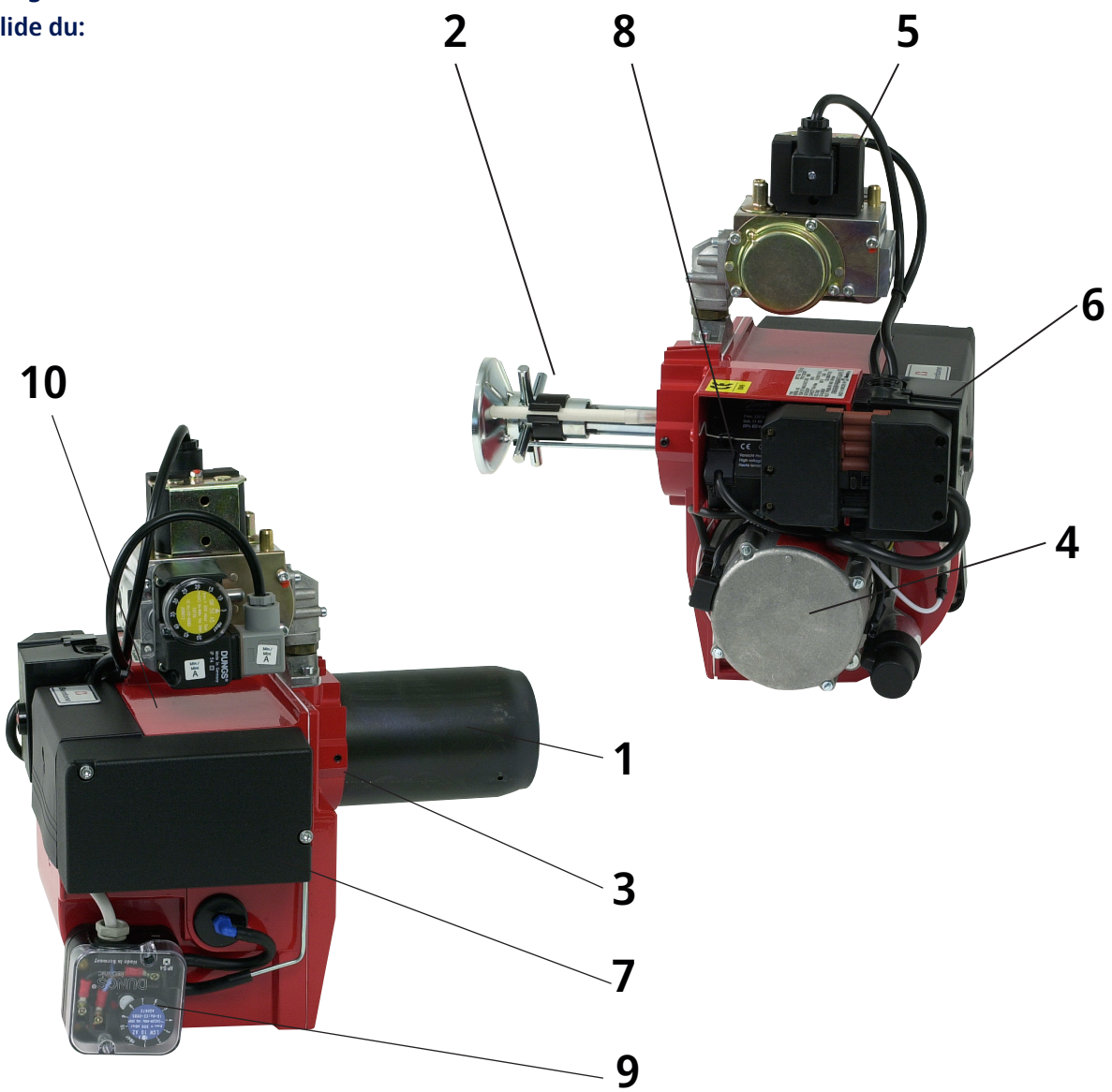


MADE IN SWEDEN

# Innehåll - Index - Inhalt - Sommaire

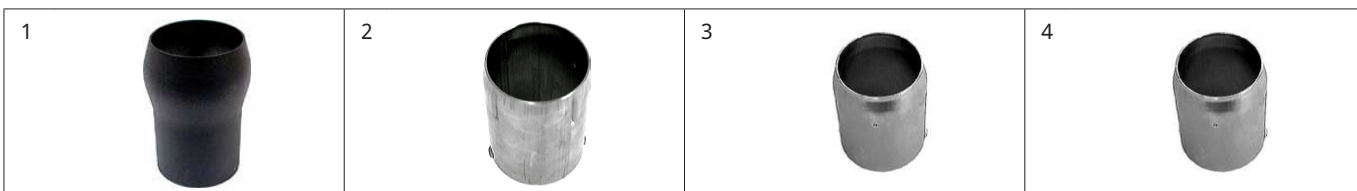
|  |          |
|--|----------|
| 1. Brännarrör - Flame tube - Brennerrohr - Tube de brûleur     | _ 4      |
| 2. Insats - Nozzle assembly - Düsenstock - Ligne porte-gicleur | 5        |
| 3. Anslutningsfläns - Fixing flange - Anschlussflansch         |          |
| - Bridge de fixation   | _____ 9  |
| 4. Motor - Motor - Motor - Moteur                              | _____ 10 |
| 5. Gaskomponenter - Gas components - Gaskomponenten            |          |
| - Composants de gaz  | _____ 12 |
| 6. Elkomponenter - Electrical - Elektrische - Électriques      | _____ 16 |
| 7. Styrautomatik J/K - Automatic control unit J/K              |          |
| - Automatisches Steuergerät J/K                                |          |
| - Module de commande automatique J/K                           | _____ 18 |
| 8. Transformator - Transformer - Transformator                 |          |
| - Transformateur   | _____ 20 |
| 9. Luftreglering - Air regulation - Luftregelung               |          |
| - Régularisation à air   | _____ 22 |
| 10. Fläkthus - Fan housing - Lüftergehäuse                     |          |
| - Carter de ventilateur  | _____ 23 |

Gäller från:  
Valid from: april 1997  
Gültig ab:  
Valide du:



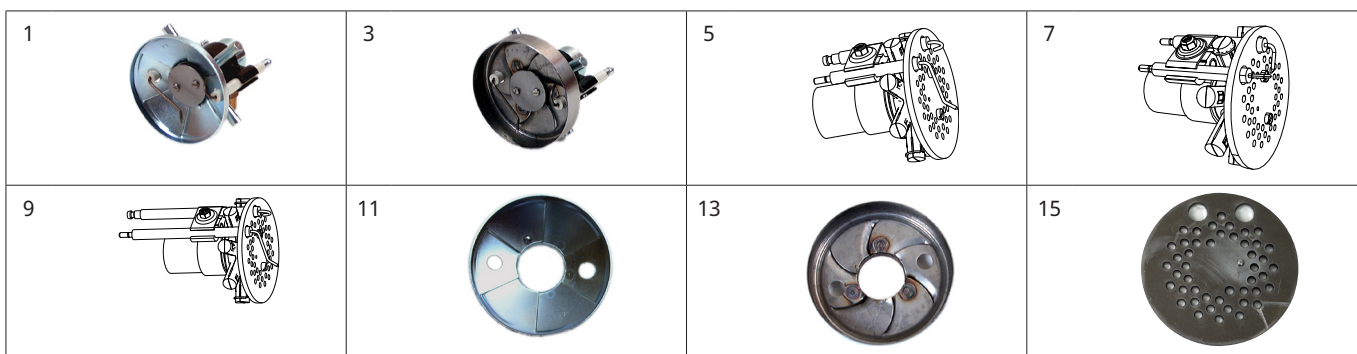
# 1. Brännarrör - Flame tube - Brennerrohr - Tube de brûleur

| Namn         | Name       | Name        | Nom             | Information                          | Artikel nr |
|--------------|------------|-------------|-----------------|--------------------------------------|------------|
| 1 Brännarrör | Flame tube | Brennerrohr | Tube de brûleur | STG 146/2, 145 mm                    | 11751705   |
| 1 Brännarrör | Flame tube | Brennerrohr | Tube de brûleur | STG 146/2, 245 mm                    | 11751706   |
| 2 Brännarrör | Flame tube | Brennerrohr | Tube de brûleur | C,<br>STG 120/1, STG 146/1,<br>108mm | 11738515   |
| 3 Brännarrör | Flame tube | Brennerrohr | Tube de brûleur | KA, STG 120/2,<br>115 mm             | 11728410   |
| 4 Brännarrör | Flame tube | Brennerrohr | Tube de brûleur | K/KA, STG 120,<br>147 mm             | 11728202   |



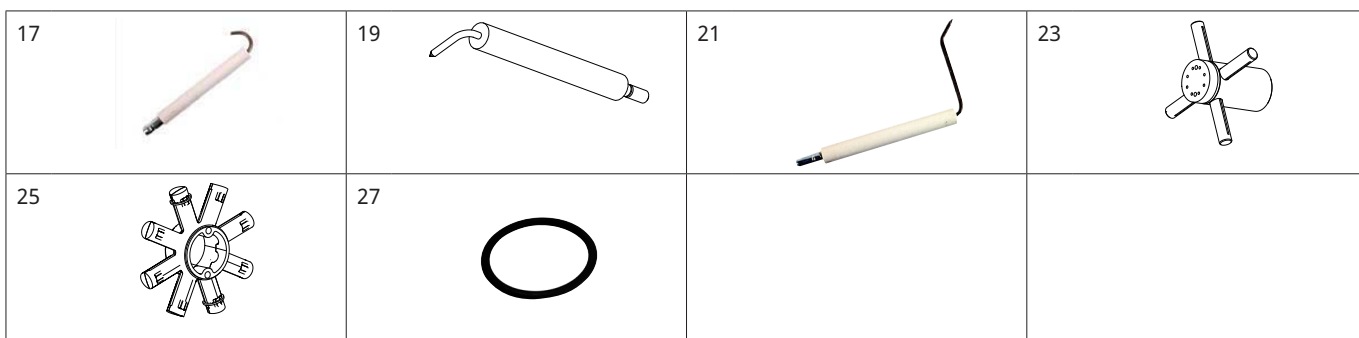
## 2. Insats - Nozzle assembly - Düsenstock - Ligne porte-gicleur

| Namn                   | Name                          | Name                     | Nom                               | Information                         | Artikel nr |
|------------------------|-------------------------------|--------------------------|-----------------------------------|-------------------------------------|------------|
| 1 Insats kompl.        | Nozzle assembly compl.        | Düsenstock kompl.        | Ligne porte-gicleur compl.        | KA, STG 120/2 L115, 147             | 11939701   |
| 3 Insats kompl.        | Nozzle assembly compl.        | Düsenstock kompl.        | Ligne porte-gicleur compl.        | C, STG 120/1 L108<br>STG 146/1 L108 | 11939801   |
| 5 Insats kompl.        | Nozzle assembly compl.        | Düsenstock kompl.        | Ligne porte-gicleur compl.        | STG 146/2 L145                      | 11938501   |
| 7 Insats kompl. Biogas | Nozzle assembly compl. Biogas | Düsenstock kompl. Biogas | Ligne porte-gicleur compl. Biogaz | STG 146/2 L145                      | 11938503   |
| 9 Insats kompl.        | Nozzle assembly compl.        | Düsenstock kompl.        | Ligne porte-gicleur compl.        | STG 146/2 L245                      | 11938504   |
| 11 Bromsskiva          | Brake plate                   | Stauscheibe              | Disque accroche-flamme            | KA, STG 120/2                       | 11916901   |
| 13 Bromsskiva          | Brake plate                   | Stauscheibe              | Disque accroche-flamme            | C, STG 120/1,<br>STG 146/1          | 11790901   |
| 15 Bromsskiva          | Brake plate                   | Stauscheibe              | Disque accroche-flamme            | STG 146/2                           | 91941801   |







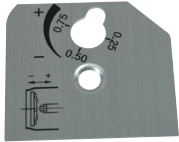



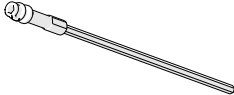
## 2. Insats - Nozzle assembly - Düsenstock - Ligne porte-gicleur

| Namn                  | Name                 | Name                | Nom                    | Information   | Artikel nr |
|-----------------------|----------------------|---------------------|------------------------|---|------------|
| 17 Tändeledrod        | Ignition electrode   | Zündeledrod         | Electrode d'allumage   | STG 120/1 L108<br>STG 120/2 L115, 147<br>STG 146/2 L245                 | 11534707   |
| 17 Tändeledrod        | Ignition electrode   | Zündeledrod         | Electrode d'allumage   | STG 146/1 L108<br>STG 142/2 L145  | 11534704   |
| 19 Tändeledrod        | Ignition electrode   | Zündeledrod         | Electrode d'allumage   | STG 146/2 L145<br>Biogas  | 11534710   |
| 21 Joniseringseledrod | Ionisation electrode | Ionisations eledrod | Electrode d'ionisation | STG 120/1 L108<br>STG 120/2 L115, 147<br>STG 146/2 L245                 | 11534707   |
| 21 Joniseringseledrod | Ionisation electrode | Ionisations eledrod | Electrode d'ionisation | STG 146/1 L108<br>STG 146/2 L145  | 11534703   |
| 23 Munstycke          | Nozzle               | Düse                | Gicleur                | STG 120/1 L108<br>STG 120/2 L115 147<br>STG 146/1 L108                  | 11786803   |
| 25 Munstycke          | Nozzle               | Düse                | Gicleur                | STG 146/2 L145, 245   | 11796803   |
| 27 O-ring             | O-ring               | O-Ring              | Rondelle               | Ø 17 x 1,6mm<br>STG 120/1 L108<br>STG 120/2 L115, 147<br>STG 146/1 L108 | 11316821   |
| 27 O-ring             | O-ring               | O-Ring              | Rondelle               | Ø 23,52 x 1,78mm<br>STG 146/2 L145, 245                                 | 11316801   |



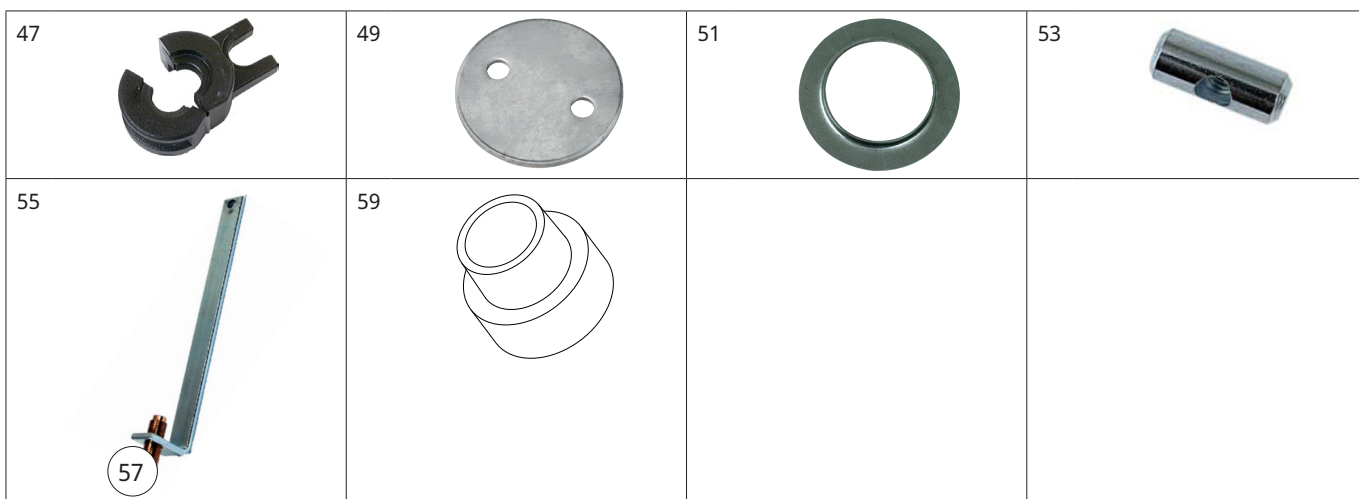
## 2. Insats - Nozzle assembly - Düsenstock - Ligne porte-gicleur

| Namn                            | Name                                       | Name                                      | Nom   | Information   | Artikel nr |
|---------------------------------|--|---|---|---|------------|
| 29 Klammer                      | Bracket                                    | Klammer                                   | Crampon   |   | 11273802   |
| 31 Klammer                      | Bracket                                    | Klammer                                   | Crampon   |   | 11490902   |
| 33 Klammer                      | Bracket                                    | Klammer                                   | Crampon   |   | 11490903   |
| 35 Elektrodhållare              | Electrode holder                           | Elektrodenhalter                          | Support d'électrode                               | STG 146   | 11719602   |
| 37 Täckplåt,<br>insatsreglering | Cover plate, nozzle<br>assembly adjustment | Deckplatte,<br>Düsenstock-<br>einstellung | Plaque de<br>recouvrement, ligne<br>porte-gicleur | STG 120/1 L108<br>STG 120/2 L115, 147<br>STG 146/1 L108 | 12051401   |
| 39 Täckplåt,<br>insatsreglering | Cover plate, nozzle<br>assembly adjustment | Deckplatte,<br>Düsenstock-<br>einstellung | Plaque de<br>recouvrement, ligne<br>porte-gicleur | STG 146/2 L145, 245                                     | 12051402   |
| 41 Skala, insatsreglering       | Scale, nozzle<br>assembly adjustment       | Skala, Düsenstock-<br>einstellung         | Echelle, ligne porte-<br>gicleur                  | STG 120/1 L108<br>STG 120/2 L115, 147<br>STG 146/1 L108 | 12071001   |
| 41 Skala, insatsreglering       | Scale, nozzle<br>assembly adjustment       | Skala, Düsenstock-<br>einstellung         | Echelle, ligne porte-<br>gicleur                  | STG 146/2 L145, 245                                     | 12071002   |
| 43 Gavel                        | Front plate                                | Frontplatte                               | Plaque frontalet                                  |   | 11906401   |
| 45 Ställskruv                   | Adjustment screw                           | Stellschraube                             | Vis de réglage                                    | STG 120   | 12071701   |
| 45 Ställskruv                   | Adjustment screw                           | Stellschraube                             | Vis de réglage                                    | STG 146   | 12071702   |

|    |   |    |   |    |  |    |   |
|----|---|----|---|----|--|----|---|
| 29 |  | 31 |  | 33 |  | 35 |  |
| 37 |  | 39 |  | 41 |  | 43 |  |
| 45 |  |    |   |    |  |    |   |

## 2. Insats - Nozzle assembly - Düsenstock - Ligne porte-gicleur

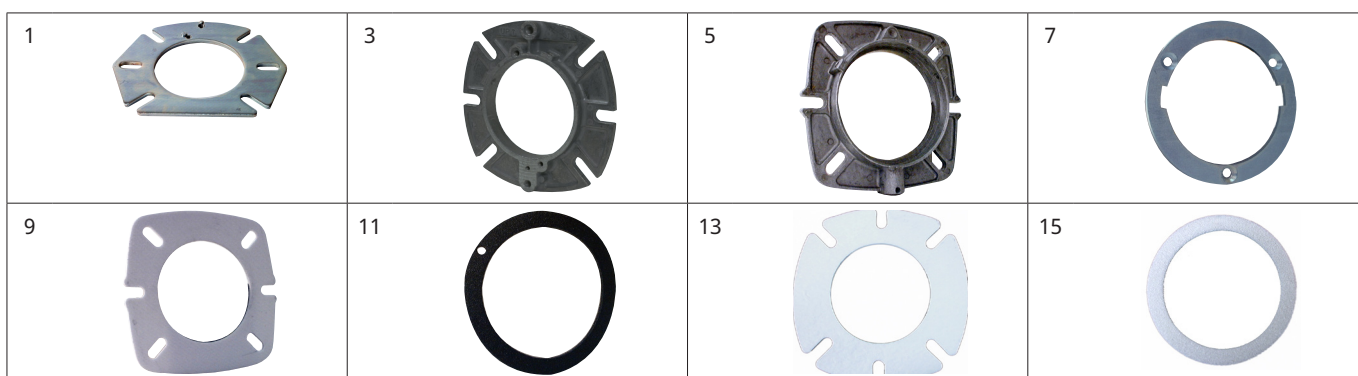
| Namn                          | Name                              | Name                            | Nom  | Information  | Artikel nr |
|-------------------------------|-----------------------------------|---------------------------------|--|--|------------|
| 47 Bussning                   | Bushing                           | Buchse                          | Douille                                      |  | 11847901   |
| 49 Luftfördelare              | Air distributor                   | Luftverteller                   | Distributeur d'air                           |  | 11485502   |
| 51 Stabiliseringsring, insats | Stabilizing ring, nozzle assembly | Stabilisierungsring, Düsenstock | Anneau de stabilisation, ligne porte-gicleur | STG 146  | 11754701   |
| 53 Axel, elektrodhållare      | Axle, electrode holder            | Achse, Elektrodenhalter         | Arbre, support d'électrode                   | STG 146  | 11925301   |
| 55 Dragstång                  | Pull rod                          | Zugstange                       | Tirant                                       | 130 mm<br>STG 146/1 L108<br>STG 146/2 L145                                     | 11903501   |
| 55 Dragstång                  | Pull rod                          | Zugstange                       | Tirant                                       | 230 mm<br>STG 146/2 L245   | 11903503   |
| 55 Dragstång                  | Pull rod                          | Zugstange                       | Tirant                                       | 110 mm<br>STG 120/1 L108<br>STG 120/2 L115                                     | 11901801   |
| 55 Dragstång                  | Pull rod                          | Zugstange                       | Tirant                                       | 142 mm<br>STG 120/2 L147   | 11901802   |
| 57 Ställskruv                 | Adjustment screw                  | Stellschraube                   | Vis de réglage                               |  | 11901901   |
| 59 Distans, dragstång         | Spacing, pull rod                 | Abstand, Zugstange              | Écartement, barre de traction                | STG 120/1 L108<br>STG 120/2 L115, 147<br>STG 146/1 L108<br>STG 146/2 L145, 245 | 11932401   |





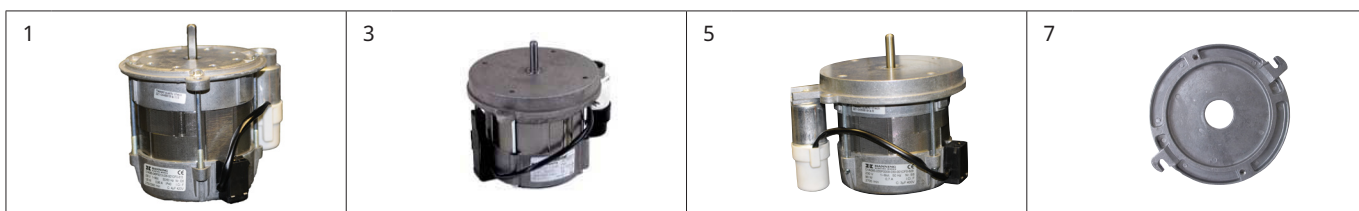
### 3. Anslutningsfläns - Fixing flange - Anschlussflansch - Bridge de fixation

| Namn               | Name           | Name             | Nom                 | Information | Artikel nr |
|--------------------|----------------|------------------|---------------------|-------------|------------|
| 1 Anslutningsfläns | Fixing flange  | Anschlussflansch | Bride de fixation   | STG 120     | 11883001   |
| 3 Anslutningsfläns | Fixing flange  | Anschlussflansch | Bride de fixation   | STG 120     | 11824601   |
| 5 Anslutningsfläns | Fixing flange  | Anschlussflansch | Bride de fixation   | STG 146     | 12114601   |
| 7 Strypring        | Reduction ring | Reduzierring     | Anneau de réduction | STG 146     | 11903801   |
| 9 Packning         | Gasket         | Dichtung         | Joint               |             | 11739801   |
| 11 Packning        | Gasket         | Dichtung         | Joint               |             | 11883101   |
| 13 Packning        | Gasket         | Dichtung         | Joint               | STG 120     | 11819101   |
| 15 Packning        | Gasket         | Dichtung         | Joint               | STG 146     | 11278801   |






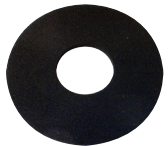
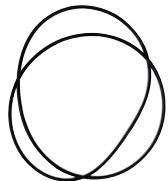
## 4. Motor - Motor - Motor - Moteur

| Namn              | Name             | Name            | Nom               | Information   | Artikel nr |
|-------------------|------------------|-----------------|-------------------|---|------------|
| 1 Motor           | Motor            | Motor           | Moteur            | 125W, 1F, 230V,<br>50/60Hz, 4uF, STG 146              | 12090001   |
| 1 Motor med kabel | Motor with cable | Motor mit Kabel | Moteur avec Câble | 125W, 1F, 230V,<br>50/60Hz, 4uF,<br>L=360 mm, STG 146 | 92090001   |
| 3 Motor           | Motor            | Motor           | Moteur            | 90W, 1F, 230V,<br>50/60Hz, 4uF, STG 120               | 12090401   |
| 3 Motor med kabel | Motor with cable | Motor mit Kabel | Moteur avec Câble | 90W, 1F, 230V,<br>50/60Hz, 4uF,<br>L=360 mm, STG 120  | 92090401   |
| 5 Motor           | Motor            | Motor           | Moteur            | 90W, 1F, 230V,<br>50/60Hz, 3uF, STG 120               | 12090501   |
| 5 Motor med kabel | Motor with cable | Motor mit Kabel | Moteur avec Câble | 90W, 1F, 230V,<br>50/60Hz, 3uF,<br>L=435 mm, STG 120  | 92090501   |
| 7 Motorfläns      | Flange, motor    | Flansch, motor  | Bride, moteur     | STG 046   | 11700902   |



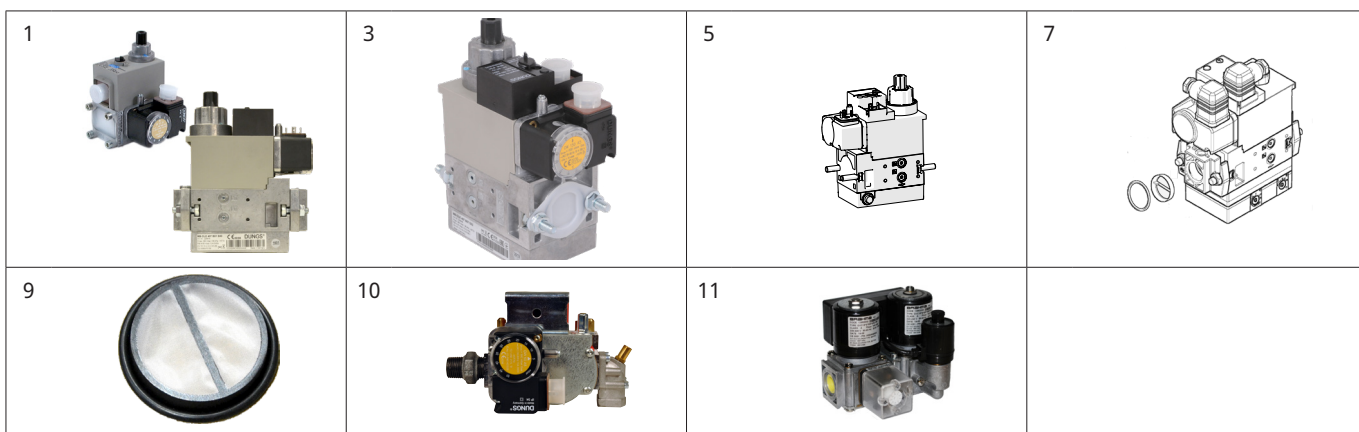
## 4. Motor - Motor - Motor - Moteur

| Namn          | Name      | Name        | Nom          | Information                     | Artikel nr |
|---------------|-----------|-------------|--------------|---------------------------------|------------|
| 9 Kondensator | Capacitor | Kondensator | Condensateur | 3 $\mu$ F                       | 12093301   |
| 9 Kondensator | Capacitor | Kondensator | Condensateur | 4 $\mu$ F                       | 12093001   |
| 11 Fläkthjul  | Fan wheel | Gebbläserad | Rotor        | STG 120 Ø146x52                 | 11417601   |
| 11 Fläkthjul  | Fan wheel | Gebbläserad | Rotor        | STG 146 Ø120x42                 | 11872601   |
| 13 Kabel      | Cable     | Kabel       | Câble        | L=360                           | 11417601   |
| 13 Kabel      | Cable     | Kabel       | Câble        | L=435                           | 11872601   |
| 15 Packning   | Gasket    | Dichtung    | Joint        | STG 146                         | 11874201   |
| 17 O-ring     | O-ring    | O-Ring      | Rondelle     | Nitril 145,29 x 1,78<br>STG 146 | 11316842   |

|    |   |    |   |    |  |    |   |
|----|---|----|---|----|--|----|---|
| 9  |  | 11 |  | 13 |  | 15 |  |
| 17 |  |    |   |    |  |    |   |

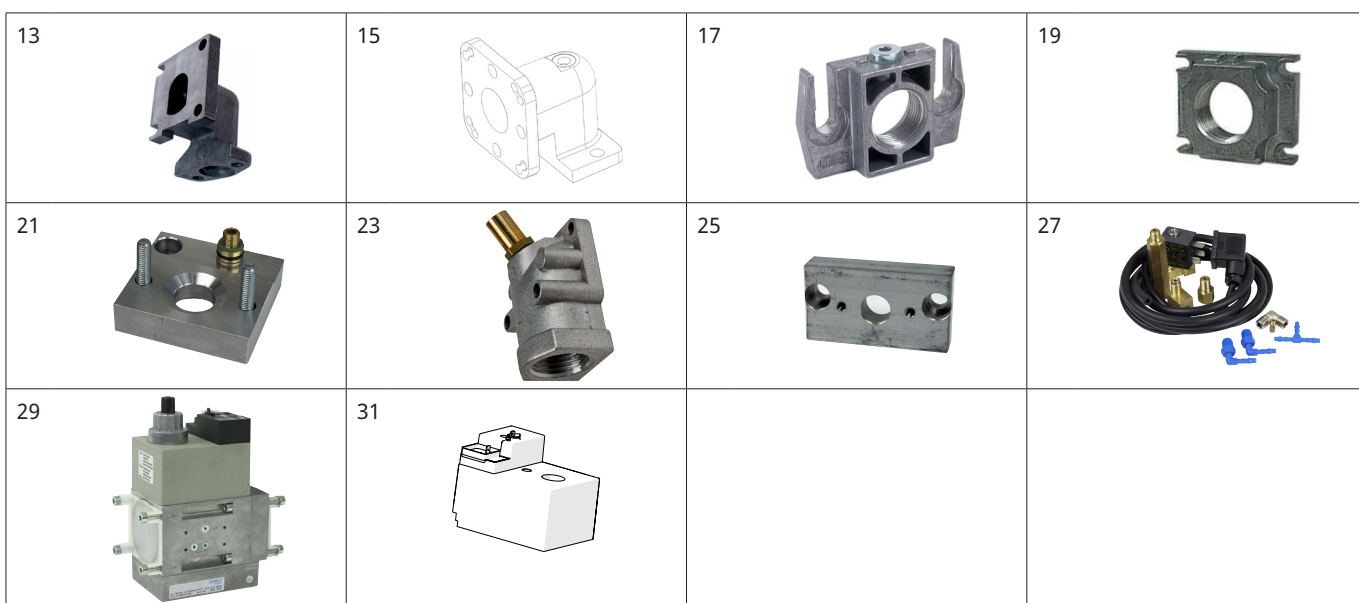
## 5. Gaskomponenter - Gas components - Gaskomponenten - Composants de gaz

| Namn         | Name      | Name      | Nom          | Information   | Artikel nr |
|--------------|-----------|-----------|--------------|---|------------|
| 1 Gasventil  | Gas-valve | Gasventil | Vanne de gaz | MultiBloc<br>MB-DLE, 403                            | 11563207   |
| 1 Gasventil  | Gas-valve | Gasventil | Vanne de gaz | MultiBloc<br>MB-DLE, 407                            | 11567071   |
| 3 Gasventil  | Gas-valve | Gasventil | Vanne de gaz | MultiBloc<br>DLE 407B07S22<br>GW150A5               | 11567066   |
| 5 Gasventil  | Gas-valve | Gasventil | Vanne de gaz | MultiBloc<br>DLE 407B01S52<br>GW150<br>STG 146i J/K | 11567041   |
| 7 Gasventil  | Gas-valve | Gasventil | Vanne de gaz | MultiBloc MB-VEF 407                                | 11851102   |
| 9 Filter     | Filter    | Filter    | Filtre       | MBDLE 405/407<br>MBZRDLE 405/407<br>MBVEF 405/407   | 11916411   |
| 10 Gasventil | Gas-valve | Gasventil | Vanne de gaz | MultiBloc<br>GB-LD 055                              | 12034101   |
| 11 Gasventil | Gas-valve | Gasventil | Vanne de gaz | MultiBloc<br>GVC 15                                 | 12075401   |



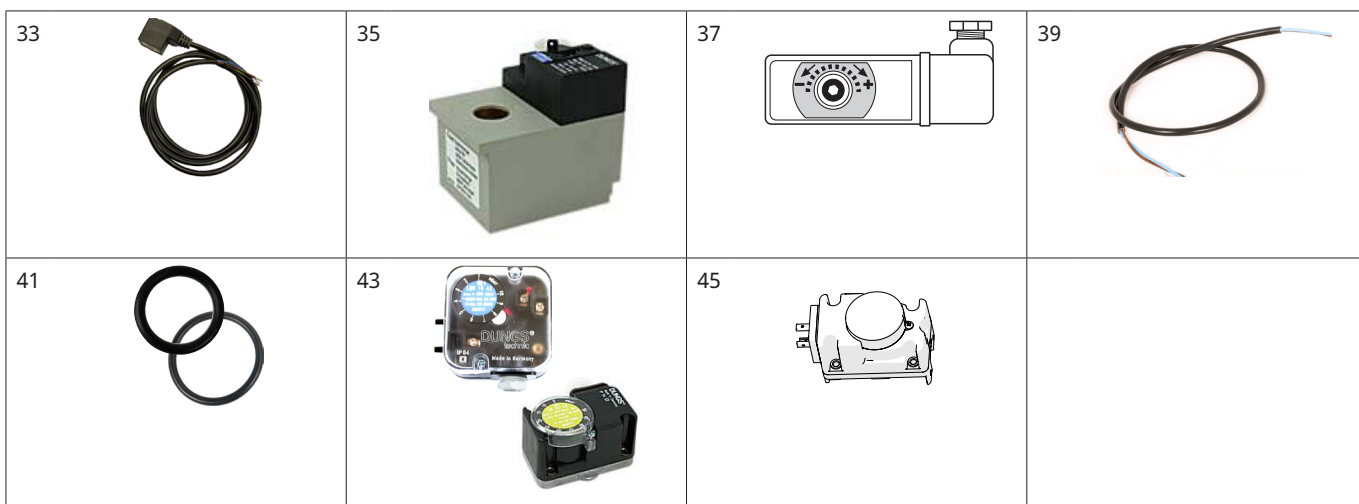
## 5. Gaskomponenter - Gas components - Gaskomponenten - Composants de gaz

| Namn                                       | Name                                 | Name   | Nom                                       | Information                                 | Artikel nr |
|--|--------------------------------------|--|---|---|------------|
| 13 Fläns                                   | Flange                               | Flansch  | Bride                                     | MB 403                                      | 11556701   |
| 15 Fläns                                   | Flange                               | Flansch  | Bride                                     | MB 407<br>STG 146                           | 11969901   |
| 15 Fläns                                   | Flange                               | Flansch  | Bride                                     | RP1, MVD 210,<br>DMV 512<br>STG 146         | 11969902   |
| 17 Fläns                                   | Flange                               | Flansch  | Bride                                     | R½ plug                                     | 11566703   |
| 19 Fläns                                   | Flange                               | Flansch  | Bride                                     | DMV 512 1"<br>STG 146i J/K                  | 11899205   |
| 21 Impulsfläns                             | Impulse Flange                       | Impulse Flansch                                  | Bride Impulse                             | MB-VEF 407                                  | 11968401   |
| 23 Vinkelfläns                             | Angle Flange                         | Angle Flansch                                    | Angle bride                               | R½"   | 11930702   |
| 25 Mellanfläns                             | Intermediate flange                  | Zwischenflansch                                  | Bride intermédiaire                       |   | 11909201   |
| 27 Magnetventil kpl.<br>kontinuerlig fläkt | Solenoid valve cpl.<br>continous fan | Magnetventil kpl.<br>kontinuierliches<br>Gebläse | Electrovanne cpl.<br>ventilation continue | STG 120/146                                 | 11923002   |
| 29 Magnetventil                            | Solenoid valve                       | Magnetventil                                     | Électrovanne                              | DMV-DLE 512/11<br>STG 146i Biogas           | 11979803   |
| 31 Spole                                   | Coil                                 | Spule  | Bobine                                    | DMV-DLE 512/11<br>225004<br>STG 146i Biogas | 11568853   |



## 5. Gaskomponenter - Gas components - Gaskomponenten - Composants de gaz

| Namn                   | Name                  | Name                | Nom                 | Information                    | Artikel nr |
|------------------------|-----------------------|---------------------|---------------------|--------------------------------|------------|
| 33 Kabel, magnetventil | Cable, solenoid valve | Kabel, Magnetventil | Câble, électrovanne | 3X0,75 L=530                   | 11951013   |
| 33 Kabel, magnetventil | Cable, solenoid valve | Kabel, Magnetventil | Câble, électrovanne | DLE B07 4x0,75 L=590           | 11951014   |
| 33 Kabel, magnetventil | Cable, solenoid valve | Kabel, Magnetventil | Câble, électrovanne | DLE 512/114x0,75 L=850         | 11951010   |
| 35 Spole steg 1        | Coil stage 1          | Spule Stufe 1       | Bobine 1 ère allure | 405/407B07S22 1120 STG 120/146 | 11568807   |
| 35 Spole steg 1        | Coil stage 1          | Spule Stufe 1       | Bobine 1 ère allure | 407B01S22/S52 STG 146i J/K     | 11568805   |
| 37 Switch              | Switch                | Schalter            | Commutage           | CPI DU 211202                  | 12109401   |
| 39 Kabel, Switch       | Cable, Switch         | Kabel, Schalter     | Câble, Commutage    | CPII, L=590 mm                 | 12065902   |
| 41 O-ring, Nitril      | O-ring, Nitrile       | O-Ring, Nitril      | O-ring, Nitrile     | 15,54 x 2,62                   | 11316823   |
| 41 O-ring, Nitril      | O-ring, Nitrile       | O-Ring, Nitril      | O-ring, Nitrile     | 29,2 x 3                       | 11316846   |
| 43 Tryckvakt           | Pressure switch       | Druckwächter        | Pressostat          | GW50A5                         | 11531926   |
| 43 Tryckvakt           | Pressure switch       | Druckwächter        | Pressostat          | GW150A5 10-150MBAR             | 11531937   |
| 45 Tryckvakt           | Pressure switch       | Druckwächter        | Pressostat          | QPL25.050                      | 12079713   |
| 45 Tryckvakt           | Pressure switch       | Druckwächter        | Pressostat          | QPL25.150 STG 146i J/K         | 12079714   |



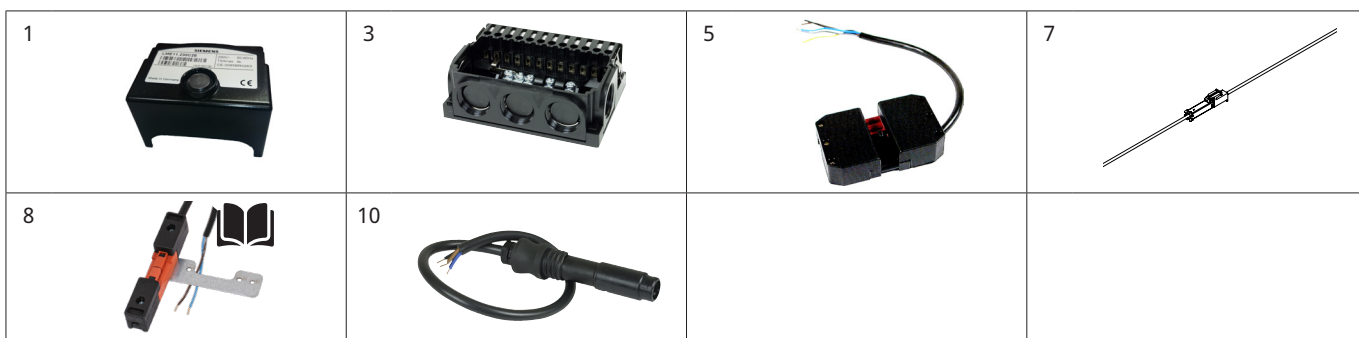
## 5. Gaskomponenter - Gas components - Gaskomponenten - Composants de gaz

| Namn               | Name               | Name           | Nom                    | Information                          | Artikel nr |
|--------------------|--------------------|----------------|------------------------|--------------------------------------|------------|
| 47 Tryckregulator  | Pressure regulator | Druckregler    | Régulateur de pression | FRS 510, 10-30 MBAR, STG 146i Biogas | 11478047   |
| 49 Gasfilter       | Gas filter         | Gasfilter      | Filtre gaz             | DUNGS GF510/1, 1"                    | 11395413   |
| 51 Täthetskontroll | Leakage control    | Dichtkontrolle | Controle d'étanchéité  | VPS 504 S02                          | 11861701   |



## 6. Elkomponenter - Electrical - Elektrische - Électriques

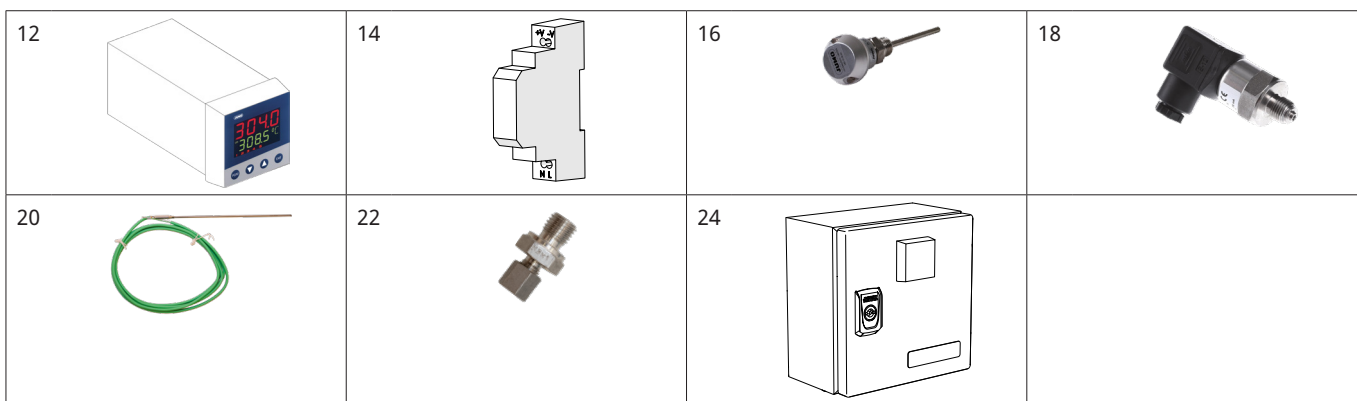
| Namn                            | Name                           | Name                            | Nom  | Information                       | Artikel nr |
|---------------------------------|--------------------------------|---------------------------------|--|-----------------------------------|------------|
| 1 Reläbox                       | Control box                    | Steuergerät                     | Boite de relais                              | LME 11                            | 92070001   |
| 1 Reläbox                       | Control box                    | Steuergerät                     | Boite de relais                              | LME 21 550 C2                     | 92070401   |
| 3 Reläsockel kompl.             | Base, control box compl.       | Unterteil, Steuergerät kompl.   | Socle de raccordement compl.                 | LGB, LMG, LME                     | 0091559600 |
| 5 Kontaktdon 7 pol, hona kompl. | Plug-in contact 7-pole, female | Steckerteil 7-polig Buchsenteil | Fiche de prise de courant 7-polaire, femelle |                                   | 91558501   |
| 5 Kontaktdon 7 pol, hona kompl. | Plug-in contact 7-pole, female | Steckerteil 7-polig Stecker     | Fiche de prise de courant 7-polaire, mâle    |                                   | 11558500   |
| 7 Kabel, pilottest              | Cable, pilot test              | Kabel, Pilotprüfung             | Câble, essai pilote                          | 170 mm                            | 121099802  |
| 8 Anslutning, Extern Reset      | Connection, Extern Reset       | Anschluss, Extern Reset         | Connection de Extern Reset                   |                                   | 92062401   |
| 10 UV-CELL                      | UV-detector                    | UV-Zelle                        | Cellule UV                                   | QRC1 A1.101C27<br>STG 146i Biogas | 12072101   |





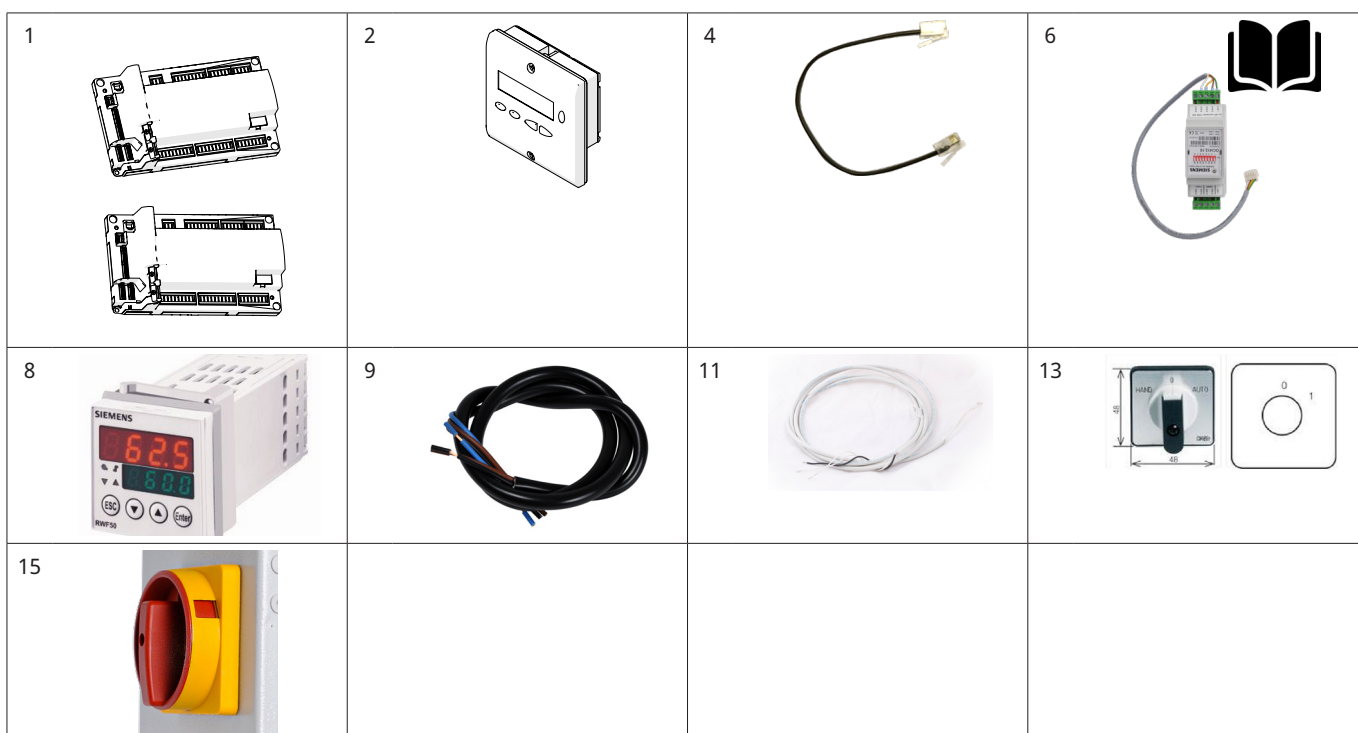
## 6. Elkomponenter - Electrical - Elektrische - Électriques

| Namn                                  | Name                                    | Name  | Nom   | Information              | Artikel nr |
|---------------------------------------|---|---|---|--------------------------|------------|
| 12 Effektregulator                    | Power control                           | Leistungsregler                             | Régulateur de puissance                                       | R316 T, PT 100           | 0012052601 |
| 12 Effektregulator, tryck             | Power control, pressure                 | Leistungsregler, druck                      | Régulateur de puissance, pression                             | R316 T, 0-10V            | 0012052602 |
| 14 Transformator                      | Transformer                             | Transformator                               | Transformateur  | HDR-15-24 220 VAC/24 VDC | 0012133901 |
| 16 Givare                             | Sensor                                  | Fühler                                      | Sonde   | PT 100                   | 0011581902 |
| 18 Jumo tryckgivare                   | Jumo pressure transmitter               | Jumo Drucktransmitter                       | Jumo transmetteur de pression                                 | 0-1 bar                  | 0011581905 |
| 18 Jumo tryckgivare                   | Jumo pressure transmitter               | Jumo Drucktransmitter                       | Jumo transmetteur de pression                                 | 0-10 bar                 | 0011581906 |
| 18 Jumo tryckgivare                   | Jumo pressure transmitter               | Jumo Drucktransmitter                       | Jumo transmetteur de pression                                 | 0-16 bar                 | 0011581907 |
| 20 Jumo termoelement                  | Jumo thermocouple                       | Jumo Thermoelement                          | Jumo thermocouple   | -200 - 1500              | 0011581910 |
| 22 Jumo klämförskruvning termoelement | Jumo compression fitting thermocouple   | Jumo, Klemmverschraubung für Thermoelemente | Jumo raccord à vis de serrage pour thermocouples              |                          | 0011581911 |
| 24 Effektregulator, kapslad           | Power regulator in device box           | Leistungsregler im Gerätekasten             | Régulateur de puissance dans la boîte de l'appareil           | PT 100, R316 T           | 0012134903 |
| 24 Effektregulator, kapslad, tryck    | Power regulator in device box, pressure | Leistungsregler im Gerätekasten, druck      | Régulateur de puissance dans la boîte de l'appareil, pression | R316 T                   | 0012134904 |



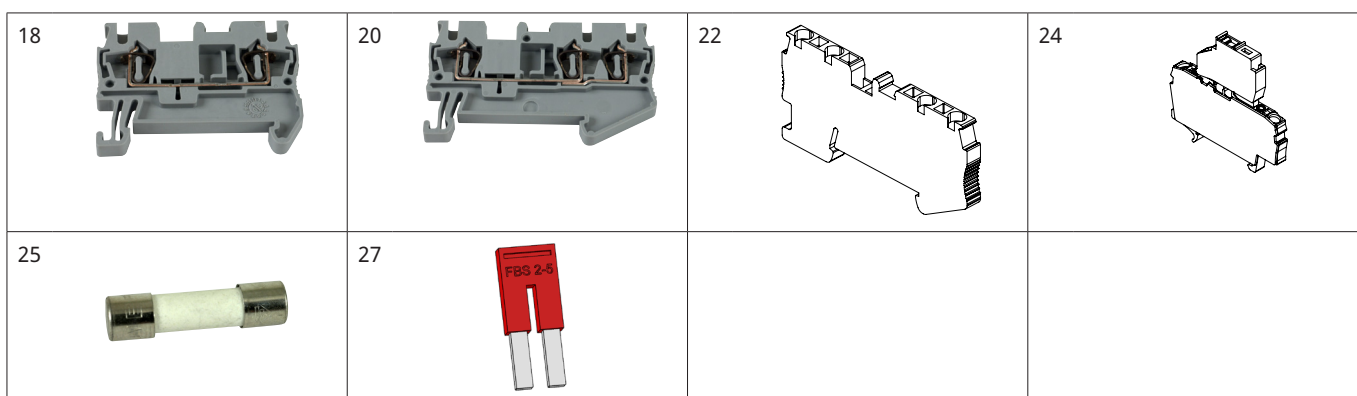
## 7. Styrautomatik J/K - Automatic control unit J/K - Automatisches Steuergerät J/K - Module de commande automatique J/K

| Namn  | Name  | Name   | Nom  | Information                      | Artikel nr |
|---|---|--|--|----------------------------------|------------|
| 1 Styrautomatik                                 | Automatic control unit                                  | Automatisches Steuergerät                                | Module de commande automatique                                       | LMV37, Ver. 9<br>STG 146 J/K     | 12101009   |
| 1 Styrautomatik                                 | Automatic control unit                                  | Automatisches Steuergerät                                | Module de commande automatique                                       | LMV37, Ver. 10<br>STG 146 Biogas | 12101010   |
| 2 Display                                       | Display   | Display  | Afficheur  | T.LMV AZL23.00A9                 | 12101101   |
| 4 Kabel, Display                                | Cable, Display  | Kabel, Display   | Câble, Afficheur   | AZL L=626,4                      | 12106302   |
| 6 Modbusenhet                                   | Modbus unit   | Modbusgerät  | Unité Modbus   | OCI412                           | 92101901   |
| 8 Regulator                                     | Regulator   | Regler   | Régulateur   | RWF50.20A9                       | 12102601   |
| 9 Kabel Flamdetektor                            | Cable, Flame detector                                   | Kabel, Flammendetektor                                   | Câble, Détecteur de flamme   | QRC 3X0,75 L3000                 | 11949708   |
| 11 Kabel, flamövervakning, väggskap-brännarskåp | Cable, flame monitoring, wall cabinet to burner cabinet | Kabel, Flammenüberwachung, Wandschrank zu Brennerschrank | Câble, surveillance des flammes, armoire murale à armoire de brûleur | 3.0 m                            | 12115001   |
| 13 Strömbrytare, vrid                           | Change-over switch                                      | Umschalter   | Commutateur inverseur  | 0-I                              | 12114002   |
| 15 Strömbrytare, vrid                           | Operating switch  | Betriebsschalter   | Interrupteur de commande   | 2pol                             | 12114112   |



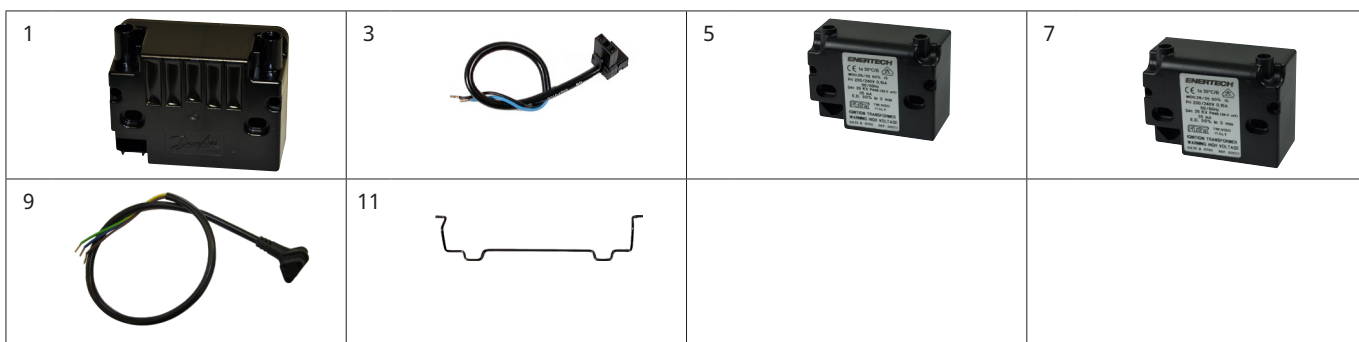
## 7. Styrautomatik J/K - Automatic control unit J/K - Automatisches Steuergerät J/K - Module de commande automatique J/K

| Namn                     | Name                              | Name                             | Nom                              | Information       | Artikel nr |
|--------------------------|-----------------------------------|----------------------------------|----------------------------------|-------------------|------------|
| 18 Plint                 | Terminal block unit               | Reihenklemmen-<br>einheit        | Bornier                          | ST 2.5            | 913145401  |
| 18 Plint                 | Terminal block unit               | Reihenklemmen-<br>einheit        | Bornier                          | ST 2.5 Bu         | 913145402  |
| 20 Plint                 | Terminal block unit               | Reihenklemmen-<br>einheit        | Bornier                          | ST 2.5 TWIN       | 913146401  |
| 20 Plint                 | Terminal block unit               | Reihenklemmen-<br>einheit        | Bornier                          | ST 2.5 TWIN BU    | 913146402  |
| 20 Plint                 | Terminal block unit               | Reihenklemmen-<br>einheit        | Bornier                          | ST 2.5 TWIN PE    | 913146403  |
| 22 Plint                 | Terminal block unit               | Reihenklemmen-<br>einheit        | Bornier                          | ST 2.5 Quattro BU | 586936402  |
| 22 Plint                 | Terminal block unit               | Reihenklemmen-<br>einheit        | Bornier                          | ST 2.5 Quattro PE | 586936403  |
| 24 Säkringsplint         | Fuse block                        | Sicherungsblock                  | Bloc de jonction<br>fusible      |                   | 12103301   |
| 25 Säkring för kretskort | Fuse for printed<br>circuit board | Programmkreis-<br>sicherung      | Fusible pour la carte<br>équipée | 5 A               | 913188002  |
| 27 Kläbygel              | Bridge                            | Brücke                           | Pont                             | ST 2.5 2-pol      | 587052401  |
| Reläsockel kompl.        | Base, control box<br>compl.       | Unterteil, Steuergerät<br>kompl. | Socle de<br>raccordement compl.  | LOA/LMO           | 0091559600 |



## 8. Transformator - Transformer - Transformator - Transformateur

| Namn                      | Name                   | Name                    | Nom                       | Information                           | Artikel nr |
|---------------------------|------------------------|-------------------------|---------------------------|---------------------------------------|------------|
| 1 Transformator           | Transformer            | Transformator           | Transformateur            | Danfoss                               | 12064401   |
| 1 Transformator med kabel | Transformer with cable | Transformator mit Kabel | Transformateur avec câble | Danfoss, 250 mm                       | 92064401   |
| 3 Kabel, transformator    | Cable, transformer     | Kabel, Transformator    | Câble, transformateur     | Danfoss, 250 mm                       | 12062003   |
| 5 Transformator 1-polig   | Transformer 1-pole     | Transformator 1-polig   | Transformateur 1-polaire  | FIDA<br>50% ED 26/40                  | 12043202   |
| 5 Transformator med kabel | Transformer with cable | Transformator mit Kabel | Transformateur avec câble | FIDA 50% ED 26/40                     | 92043202   |
| 7 Transformator 2-polig   | Transformer 2-pole     | Transformator 2-polig   | Transformateur 2-polaire  | FIDA 50% ED 26/35,<br>STG 146i Biogas | 12043201   |
| 9 Kabel, transformator    | Cable, transformer     | Kabel, Transformator    | Câble, transformateur     | Fida, 450 mm                          | 11977101   |
| 11 Fästfjäder             | Fixing spring          | Befestigungs feder      | Ressort de fixation       |                                       | 11855801   |



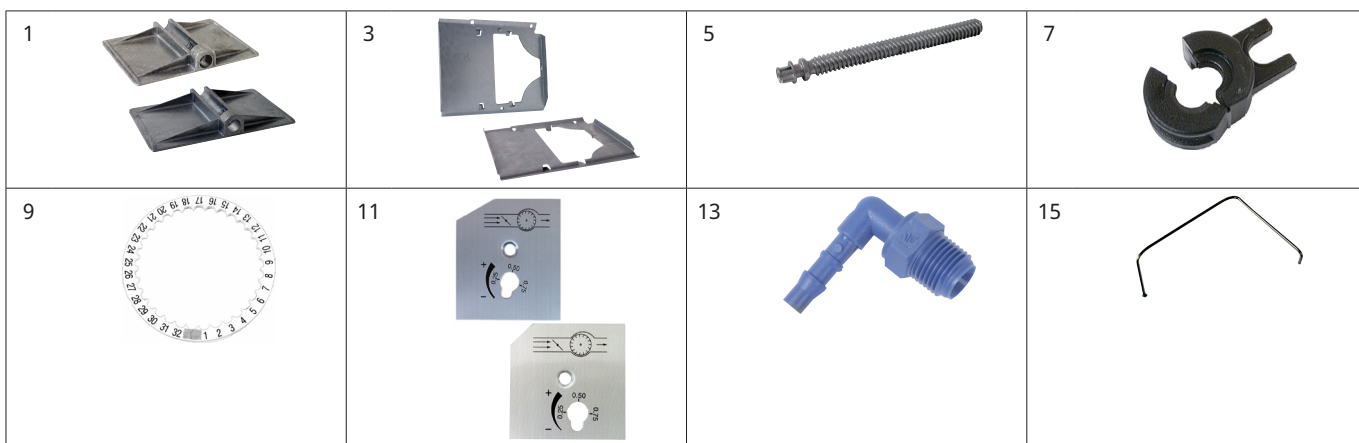
## 8. Transformator - Transformer - Transformator - Transformateur

| Namn                                | Name   | Name                               | Nom   | Information                   | Artikel nr |
|-------------------------------------|--|------------------------------------|---|-------------------------------|------------|
| 13 Tänd/<br>Joniseringskabel, kit   | Ignition/<br>Ionisation cable, kit             | Zünd/<br>Jonisationskabel, Satz    | Câble d'allumage/<br>ionisation, kit              | 250mm                         | 12068825   |
| 13 Tänd/<br>Joniseringskabel, kit   | Ignition/<br>Ionisation cable, kit             | Zünd/<br>Jonisationskabel, Satz    | Câble d'allumage/<br>ionisation, kit              | 350mm                         | 12068835   |
| 13 Joniseringskabel                 | Ionisation cable                               | Jonisationskabe                    | Câbles d'ionisation                               |                               | 12118128   |
| 15 Tänd/<br>Joniseringskabel, kit   | Ignition/<br>Ionisation cable, kit             | Zünd/<br>Jonisationskabel, Satz    | Câble d'allumage/<br>ionisation, kit              | 350mm<br>STG 146i J/          | 12131335   |
| 17 Tändkabelpar,<br>vinkel-rak muff | Pair of ignition cables<br>angle-straight muff | Zündkabelpar<br>Winkel-geradeMuffe | Câble d'allumage,<br>paire angle-manchon<br>droit | L = 350 mm<br>STG 146i Biogas | 12068735   |



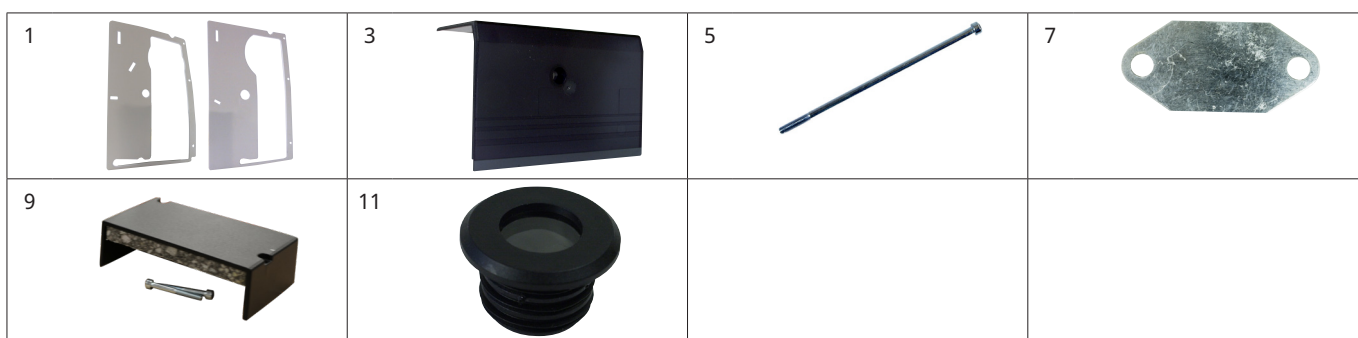
## 9. Luftreglering - Air regulation - Luftregelung - Régularisation à air

| Namn                         | Name                            | Name                        | Nom                          | Information | Artikel nr |
|------------------------------|---------------------------------|-----------------------------|------------------------------|-------------|------------|
| 1 Luftspjäll                 | Air damper                      | Luftklappe                  | Volet d'air                  | STG 120     | 11851001   |
| 1 Luftspjäll                 | Air damper                      | Luftklappe                  | Volet d'air                  | STG 146     | 11867501   |
| 3 Luftregleringsplåt         | Air regulation plate            | Luftteinstellplatte         | Plaque de réglage d'air      | STG 120     | 11852201   |
| 3 Luftregleringsplåt         | Air regulation plate            | Luftteinstellplatte         | Plaque de réglage d'air      | STG 146     | 11867401   |
| 5 Ställskruv                 | Adjustment screw                | Stellschraube               | Vis de réglage               |             | 12070901   |
| 7 Bussning                   | Bushing                         | Buchse                      | Douille                      |             | 11847901   |
| 9 Skala                      | Scale                           | Skala                       | Echelle                      |             | 12071101   |
| 11 Täckplåt                  | Cover plate                     | Deckplatte                  | Plaque de recouvrement       | STG 120     | 11887001   |
| 11 Täckplåt                  | Cover plate                     | Deckplatte                  | Plaque de recouvrement       | STG 146     | 11887401   |
| 13 Slangnippel               | Hose nipple                     | Schlauchnippel              | Raccord de tuyau flexible    | V4 x 1/8"   | 11575301   |
| 15 Förbindelserör, trycksond | Connecting pipe, pressure probe | Verbindungsrohr, Drucksonde | Trompette, sonde de pression | STG 120     | 11900801   |
| 15 Förbindelserör, trycksond | Connecting pipe, pressure probe | Verbindungsrohr, Drucksonde | Trompette, sonde de pression | STG 146     | 11900802   |



## 10. Fläkthus - Fan housing - Lüftergehäuse - Carter de ventilateur

| Namn          | Name        | Name          | Nom                    | Information | Artikel nr |
|---------------|-------------|---------------|------------------------|-------------|------------|
| 1 Packning    | Gasket      | Dichtung      | Joint                  | STG 120     | 11854401   |
| 1 Packning    | Gasket      | Dichtung      | Joint                  | STG 146     | 11867001   |
| 3 Täcklock    | Cover plate | Deckplatte    | Plaque de recouvrement |             | 11850011   |
| 5 Skruv       | Screw       | Schraube      | Vis                    |             | 11750702   |
| 7 Lock        | Cover       | Deckel        | Couvercle              |             | 11173106   |
| 9 Ljuddämpare | Silencer    | Schalldämpfer | Silencieux             | STG 120     | 91879302   |
| 9 Ljuddämpare | Silencer    | Schalldämpfer | Silencieux             | STG 146     | 1198490105 |
| 11 Flammglas  | Flame glass | Flammenglas   | Verre de flamme        |             | 12052301   |





CTC AB Box 309 SE-341 26 Ljungby

[info@bentone.se](mailto:info@bentone.se) +46 372 88 000

[www.bentone.se](http://www.bentone.se)