



Providing sustainable energy solutions worldwide

Installation- and maintenance instruction

BG 400-2 Biogas

LME22.232C2E

DMV-DLE 512

MVD 215/5

VPS 504

FRS 515

60Hz



-sv

1. Manualer på övriga språk

2. www.bentone.com \ nedladdning eller scanna QR-koden.

3. Skriv in brännarens artikelnummer som finns på din typskylt (se bild) och välj ditt språk.

Detaljerad ecodesign information kan laddas ner på: www.bentone.com/ecodesign.

-fr

1. Manuels dans d'autres langues

2. www.bentone.com \ download ou scannez le code QR.

3. Saisir le numéro d'article du brûleur sur votre plaque signalétique (consultez l'illustration) et sélectionnez la langue.

Des informations détaillées sur l'écodesign peuvent être téléchargées à l'adresse: www.bentone.com/ecodesign.



-en

1. Manuals in other languages

2. www.bentone.com \ download or scan QR-code.

3. Enter the burner's article number on your data plate (see picture) and select language.

Detailed ecodesign information can be downloaded at: www.bentone.com/ecodesign.

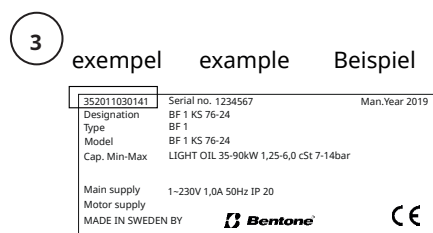
-de

1. Gebrauchsanweisungen in anderen Sprachen

2. www.bentone.com \ download oder scannen Sie den QR-Code.

3. Geben Sie die Artikelnummer des Brenners auf Ihrem Typenschild ein, (siehe Bild) und wählen Sie die Sprache aus.

Detaillierte Informationen zum Ecodesign können unter www.bentone.com/ecodesign heruntergeladen werden.



-da

1. Manualer på andre sprog

2. www.bentone.com \ download eller scan QR-koden.

3. Indtast brænderens artikelnummer, der findes på typeskiltet (se billede), og vælg dit sprog.

Detaljerede oplysninger om ecodesign kan downloades på: www.bentone.com/ecodesign.

Table of contents

1. General Information.....	4	7. Leakage control VPS 504	25
1.1 Delivery inspection.....	4	7.1 Technical data	25
1.2 Safety	4	7.2 Program sequence	25
1.3 What to do if you smell gas.....	5	7.3 Electrical connection	26
2. Technical data.....	6	8. Gas pressure regulator	27
2.1 Dimensions BG 400-2	6	9. Double Solenoid Valve DMV-DLE.....	29
2.2 Capacity range	7	9.1 Technical data	29
2.3 Gas categories, approved gases.....	7	9.2 DMV-DLE 512-520/11.....	30
2.4 Technical specification	8	9.3 DMV-DLE 525/11.....	30
2.5 Working field	8	10. Gas solenoid valve MVD 210/5 / MVD 215/5	32
2.6 Components.....	9	11. Service	34
2.7 Skeleton diagram 2-stage burner, Biogas.....	10	11.1 Burner Service Schedule, Gas	34
2.8 Adjusting the gas train.....	11	11.2 Component replacement intervals.....	34
3. Electric equipment.....	12	11.3 Combustion device	35
3.1 Safety system	12	11.4 Air damper	36
3.2 Wiring diagram.....	12	11.5 Replacement, Damper motor air	37
3.3 Function LME.....	13	11.6 Fan	38
3.4 Control program at faults; fault mode indicator LME	14	11.7 Replacement of electrical components.....	39
4. Installation.....	16	11.8 Vibrations.....	40
4.1 General instructions	16	11.9 Control of flame monitoring and ionization current	41
4.2 Instructions	16	12. Handing over of the installation	43
4.3 Inspection and maintenance.....	16	13. Troubleshooting.....	44
4.4 Preparation for assembly	16	14. Service- and inspection protocol	46
4.5 Gas supply	16		
4.6 Electric connection	16		
5. Mounting	17		
5.1 Gas nozzle.....	18		
5.2 De-aerating.....	19		
5.3 Tightness control	19		
5.4 Calculation of gas flow	20		
6. Settings	21		
6.1 Brake plate adjustment	21		
6.2 Control of burner head.....	21		
6.3 Startup.....	21		
6.4 Control of combustion	21		
6.5 Setting the air pressure switch	22		
6.6 Setting the gas pressure switch min.....	23		
6.7 Settings Damper motor, 2-stage	24		

1. General Information

The burner may only be used for its intended purpose in accordance with the product's technical data.

We reserve the right to make design changes and cannot be held liable for any misprints or typographical errors.

Modifying the design or using accessories or components that have not been approved by Enertech in writing is strictly prohibited.

This Installation and Maintenance manual:

- is to be regarded as part of the burner and must always be kept near the installation site.
- must be read prior to installation.
- is intended for use by authorised personnel.

1.1 Delivery inspection

- Make sure everything is delivered and the goods have not been damaged during transit. Transport damage should be reported to the shipping company.
- If something is wrong with a delivery, report it to the supplier.

1.2 Safety

- before installation:

- Installation and work on the burner and associated system components may only be carried out by persons who have undergone relevant training.
- The product is packaged to prevent damage from occurring when handled – Handle the product with care! Lifting equipment must be used to lift larger packages.
- The products must be transported/stored on a level surface in a dry environment, max. 80% relative humidity, no condensation. Temperature -20 to +60 °C.



- installation:

- The burner must be installed in accordance with local regulations for fire safety, electrical safety, and fuel distribution.
- The premises must comply with local regulations pertaining to use of the burner and must have adequate air supply.
- The installation site must be free of chemicals.
- Fire extinguisher with Class BE recommended.
- Make sure when installing the burner that there is enough space to service the burner.
- The electrical installation must be professionally carried out in accordance with current mains electricity regulations and in a professional manner.
- Make sure that the burner is suitable for the application (see Technical Data).
- All components must be installed without being bent, twisted or subjected to mechanical or thermal forces that affect components.

- Care must be taken by the installer to ensure that no electrical cables or fuel lines are pinched or otherwise damaged during installation or service.
- Sharp edges can occur on, for example: flame tube, fan wheel and air damper.
- The gas outlet from the pressure regulator must be configured in accordance with applicable regulations and lead to a safe area.

- before first start:

- The burner must not be put into operation without proper safety and protection devices.
- Permitted ambient temperature during operation -10 to +60 °C. Max. 80% relative humidity, no condensation.
- The surface temperature of the burner's components may exceed 60 °C.
- Handle with caution – the burner has moving parts, and there is risk of crushing injuries.
- Seal inspections must be performed during installation and servicing to prevent leakage.
- Fitting and installation work has been completed and approved.
- Electrical installation has been correctly performed.
- Flue gas ducts and combustion air ducts are not blocked.
- All actuators and control and safety devices are in working order and correctly set.
- If the boiler is equipped with an access hatch, this must be equipped with a hatch opening switch connected to the burner's safety system.
- When in operation, the burner's noise level can exceed 85 dBA – use hearing protection!

- Operation:

- Carry out all stipulated settings, service and inspection work within the set time.

1.3 What to do if you smell gas

- Turn off the fuel supply.
- Turn off the device and remove the boiler from operation.
- Open windows and doors.
- Prevent open flames or sparking, e.g. do not turn lights on or off, do not use any electrical appliances or mobile phones.
- Evacuate the building.
- Notify the installer or gas supplier of the problem so that it can be rectified.



2. Technical data

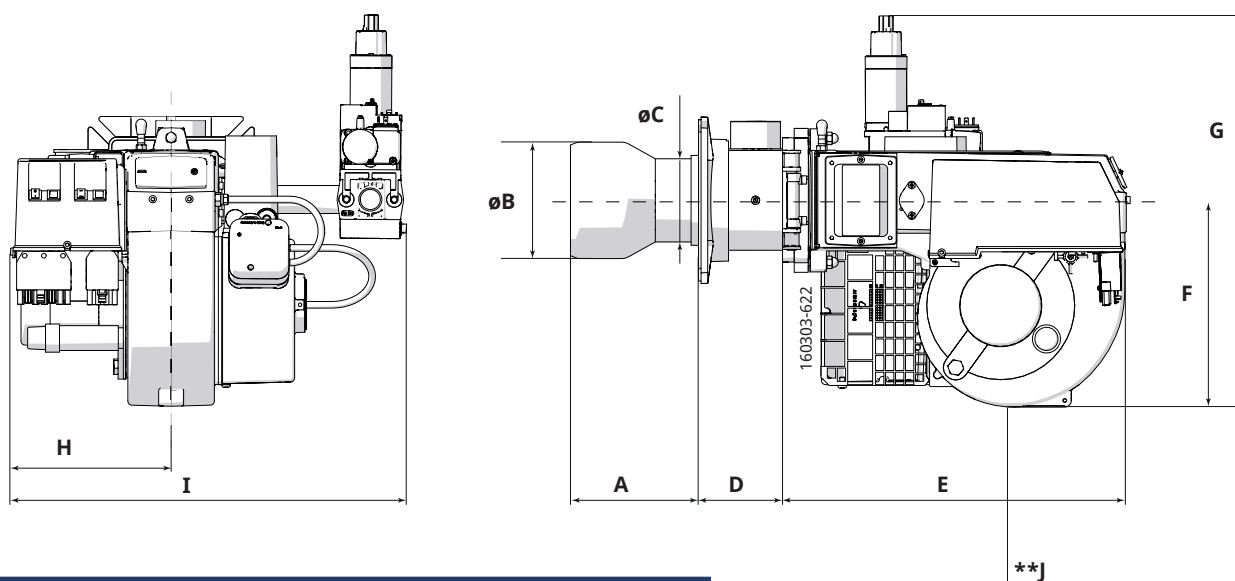
The burner is intended for:

- Operation in installations according to EN 303 and EN 676.

Fuels:

- Natural gas H, E, L, LL.
- Dry biogas max 0.1 Vol% H₂S and min 50% CH₄.

2.1 Dimensions BG 400-2



Length of flame tube	Flame tube measure A	Flame tube measure B	Flame tube measure C
172	155	ø140	ø110
272	255	ø140	ø110

D	E	F	G	H	I	J
100	410	250	*410	192	*506	**200

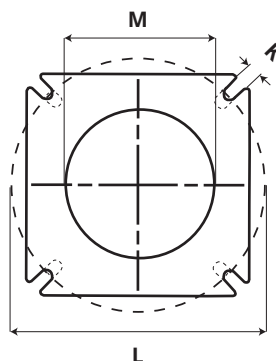
* The above dimensions are max. measurements. Depending on the components used, the measurements may vary.

** Min. recommended distance to floor.

2.1.1 Measurements for connection to the boiler

K	L	M
12	ø175-240	ø145 (***)115)

***Dimensions when installing flame tube from the inside of the boiler.



2.2 Capacity range

Capacity kW	Gas quantity at min. power Nm ³ /h	Gas quantity at max. power Nm ³ /h	Max. connection pressure mbar	Min connection pressure mbar
BG 400-2				See data plate.
G20 61 - 325	6.5	34.4	360	
G25 61 - 310	7.5	38.1	360	
Biogas 61 - 250	10.2	41.7	360	

160303-627

Gas quantity and capacity vary according to grade of gas and connection pressure.

2.3 Gas categories, approved gases

Components are approved for dry biogas with a maximum content of 0.1% H₂S.

Category	Country of destination	Supply pressure
II _{2R3R}	AT, BE, BG, CH, CY, CZ, DE, DK, EE, ES, FI, FR, GB, GR, HR, HU, IE, IS, IT, LT, LU, LV, MK, MT, NL, NO, PL, PT, RO, RS, SE, SI, SK, TR	20 mbar
II _{2H3B/P}	AT, CH, CY, DK, FI, LT, RO, SE, SK	20 mbar
II _{2H3P}	GB, IE	20 mbar
II _{2L3B/P}	NL, RO	20 mbar
II _{2E3B/P}	PL	20 mbar
I _{2E(R)B}	BE	20 mbar
I _{3P}	BE	20 mbar

160302-223-3

2.4 Technical specification

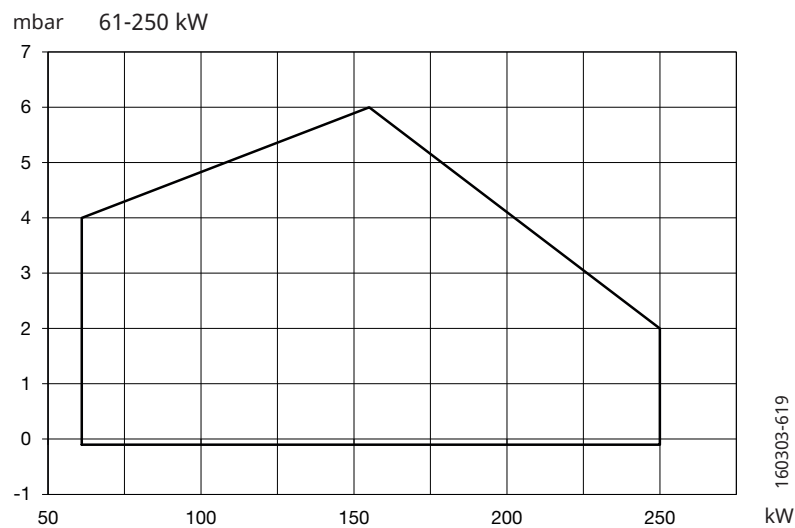
BG 400-2	
Main supply	230V, 1~, 2.2A, 60Hz, IP20
Max fuse rating	6.3A
NO _x -class	2 G20, G25 / 3 G30, G31
Noise level	89dBA

Measurements according to EN 15036-1:2006

Alt.1 The noise level of the burner can be reduced by equipping the burner with silencer. Installation must be done so it does not prevent air supply to the burner.

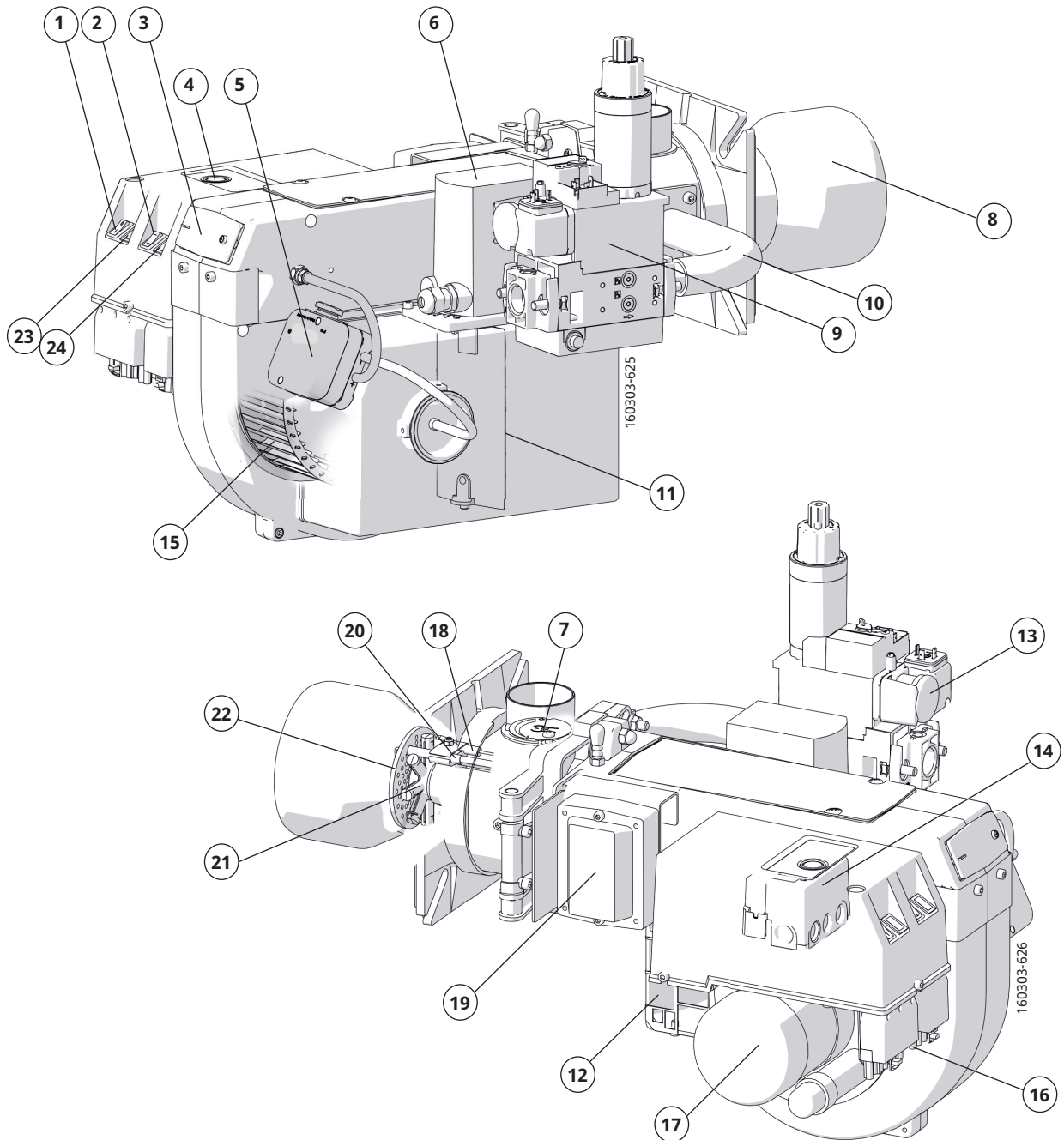
Alt.2 The burner's noise level can be reduced by connecting the burner's air intake to the air duct that opens into an appropriate location. Installation must be done so it does not prevent air supply to the burner.

2.5 Working field



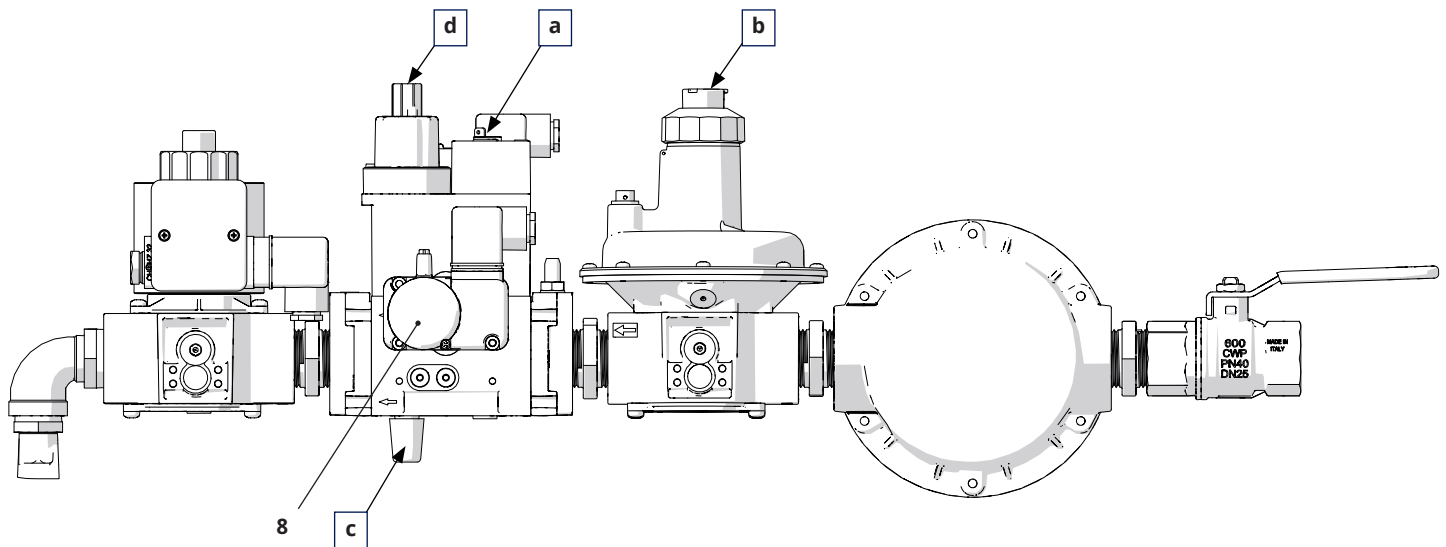
! Do not exceed working field.

2.6 Components



- | | | |
|----------------------------|-------------------------------|-------------------------------|
| 1. Switch 0-I | 9. Gas valve (MultiBloc) | 17. Motor |
| 2. Switch I-II | 10. Connection, gas fittings | 18. Ignition electrode |
| 3. Cover, inspection glass | 11. Air damper | 19. Transformer |
| 4. Reset button | 12. Air intake | 20. Ionization electrode |
| 5. Air pressure switch | 13. Gas pressure switch, Min. | 21. Nozzle |
| 6. Damper motor | 14. Burner control | 22. Brake plate |
| 7. Nozzle control | 15. Fan wheel | 23. Indication lamp, Stage I |
| 8. Flame tube | 16. Electrical connection | 24. Indication lamp, Stage II |

2.7 Skeleton diagram 2-stage burner, Biogas

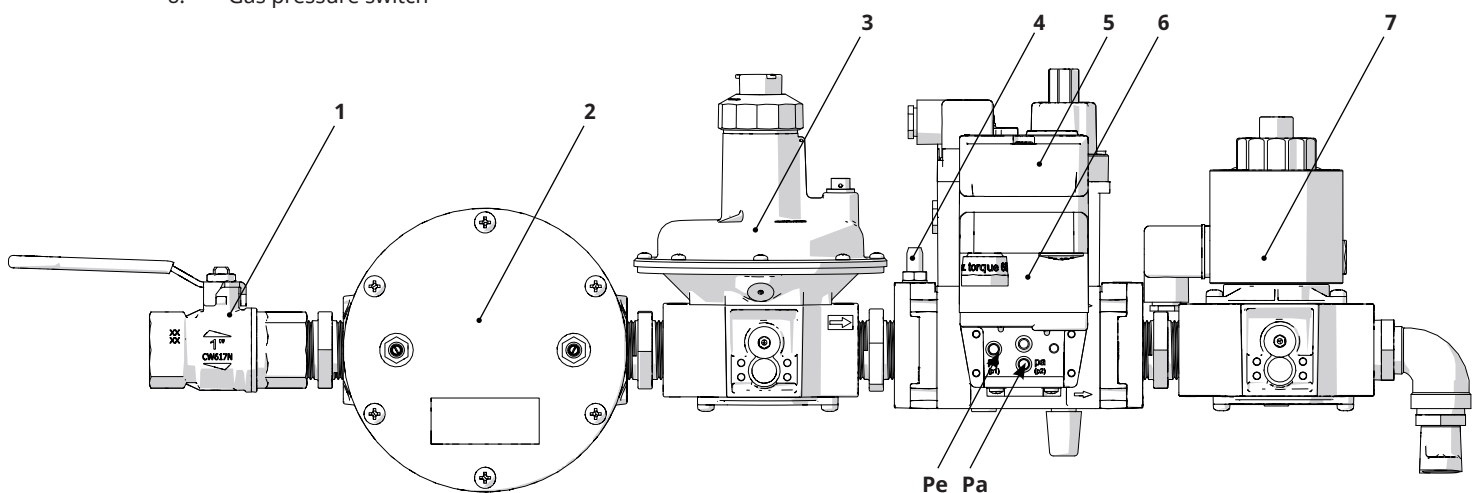


Gas train

1. Ball valve
2. Filter
3. Pressure regulator
4. Pressure outlet
5. Gas valve
6. Leakage control (VPS)
7. Safety valve on-off
8. Gas pressure switch

Adjusting points:

- a. Main flow restrictor stage 2 (max load)
- b. Gas pressure adjustment
- c. Main flow restrictor stage 1 (min load)
- d. Hydraulic brake stage 1 to 2



Pe Pressure before valve
Pa Pressure between valves

172 515 72-2

2.8 Adjusting the gas train

The burner is test run with propane before delivery.

The safety valve (7) must be fully open during operation. At initial setting, the adjusting screw (c) must have lifted the valve for stage 1 by 1-2 turns.

On start-up, safety valve (7) and valve on double solenoid valve (5) open, gas flows through the valve for stage 1.

When the burner has started on stage 1, proceed to stage 2 and start adjusting this stage first. When stage 2 is complete, adjust stage 1.

Adjustment of stage 2 is done with adjusting screw (a) on the double solenoid valve (5) which regulates the opening of the valve controlling the gas for stage 2. The burner is now receiving gas for maximum load, adjust the power on stage 2 to the desired load and set the air damper for stage 2 and nozzle assembly for a good combustion.

The power is adjusted for stage 2 by adjusting the opening of valve 1 with the adjusting screw (a) and the gas pressure is adjusted on the pressure regulator screw (b). The air damper and nozzle assembly shall also be adjusted to obtain the correct air volume and good combustion.

Adjustment of stage 1 on the burner is done when stage 2 is complete, adjust the stage 1 valve on the double solenoid valve (5) using the adjusting screw (c). If this is screwed in, the gas flow to the burner is increased by lifting the valve. This valve is always open and this opening is what gives the min-load. Adjust the air damper for stage 1 for good combustion.

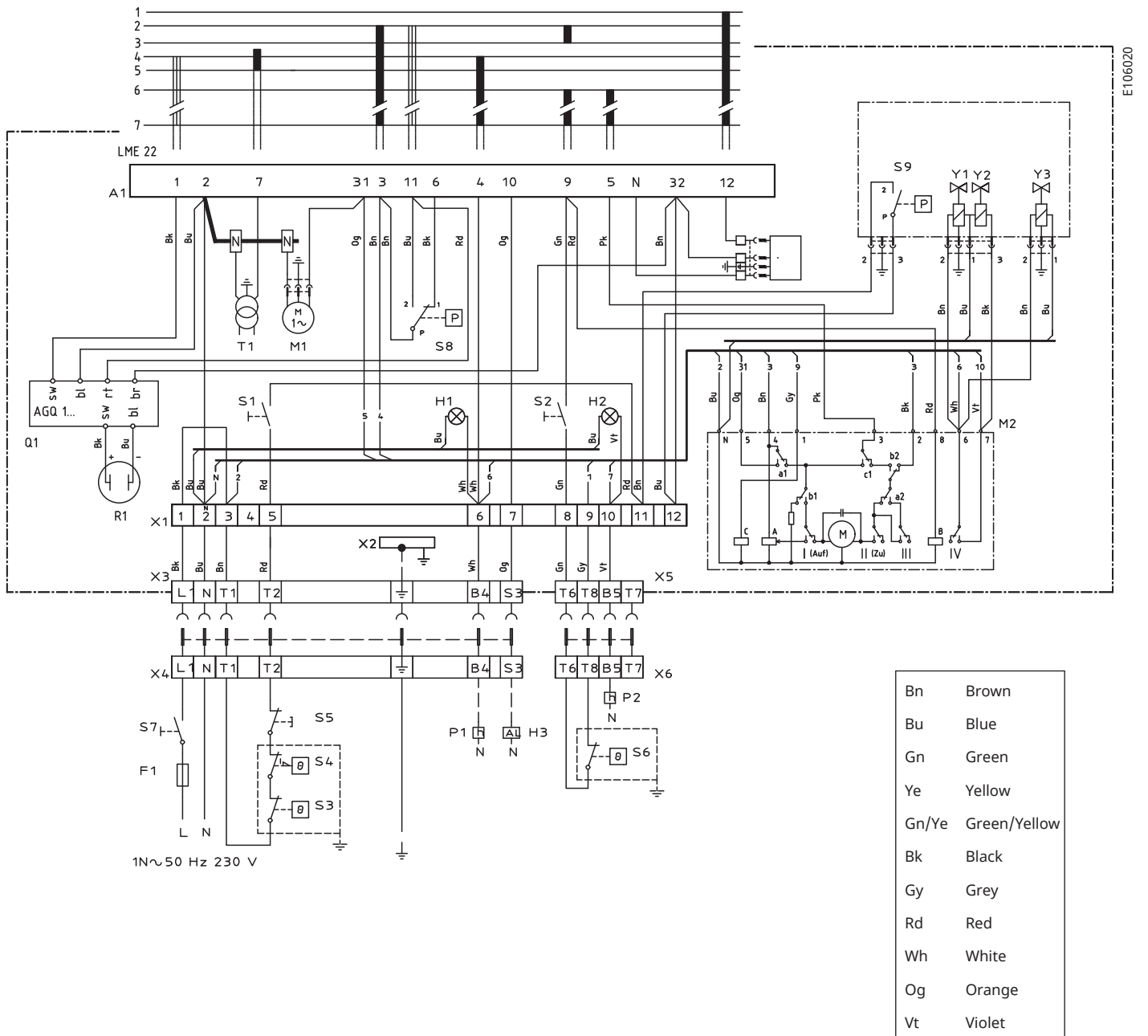
3. Electric equipment

3.1 Safety system

The safety system (safety switch for hatches, doors, water level, pressure, temperature and other safety devices) must be installed in the safety circuit in accordance with current regulations for the system.

The cables of the safety system must be separated so that the outgoing signal is not placed in the same cable as the incoming signal.

3.2 Wiring diagram




E106020

3.2.1 Components

A1	Burner control	Q1	Signal amplifier AGQ	T1	Ignition transformer
A3	Leakage control, VPS 504	R1	UV-Detector	X1	Connection terminal board
F1	Operating fuse	S1	Operating switch	X2	Earth terminal
H1	Lamp, low capacity	S2	Operating switch, stage 2	X3	Plug-in contact, burner
H2	Lamp, high capacity	S3	Control thermostat	X4	Plug-in contact, boiler
H3	Alarm signal 230V	S4	Temperature limiter	X5	Plug-in contact, stage 2, burner
M1	Motor	S5	Micro switch for hinged door	X6	Plug-in contact, stage 2, boiler
M2	Damper motor	S6	Control thermostat, stage 2	Y1	Gas solenoid valve 1
P1	Time meter, total operating time	S7	Main switch	Y2	Gas solenoid valve 2
P2	Time meter, high capacity, total operating time	S8	Air pressure switch	Y3	Safety solenoid valve
		S9	Gas pressure switch		

3.3 Function LME...

<p>1. Operating switch ON-Thermostat ON-Gas pressure switch ON</p> <p>A check that the air pressure switch does <u>not</u> indicate fan pressure is carried out.</p>
<p>2. Burner motor starts</p> <p>A check that the air pressure switch indicates sufficient fan pressure is carried out.</p>
<p>3. The ignition spark is created</p>
<p>4. The gas solenoid valve is open</p> <p>The gas is ignited. The ionisation electrode now indicates a flame.</p>
<p>5. The safety time expires</p> <p>The ignition spark ceases. The safety period ceases. If the spark is missing or it disappears after this time limit, the gas burner control is blocked.</p>
<p>6. Operating position</p>
<p>7. Stop</p> <p>The operation of the burner can now be stopped with the control switch or thermostat.</p>
<p>If the gas burner control is blocked</p> <p>Red light in the gas burner control is lit. The burner is restarted by pushing the reset button.</p>

 Mains connection and fuse in accordance with local regulations.

3.3.1 Technical data

	LME22.232C2E
Preignition time	3 s
Prepurge time	20 s
Postignition time	2.5 s
Safety lockout time	< 3 s
Reset time after lockout	< 1 s
Reaction time on flame failure	< 1 s
Min. ionisation current at flame	5 µA
Max. ionisation current	20 µA

160303-325

3.4 Control program at faults; fault mode indicator LME

3.4.1 Colour codes

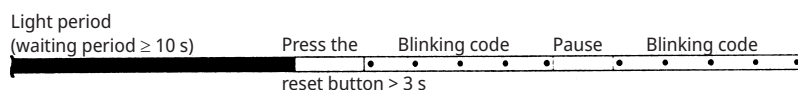
Table colour codes for multi-coloured signal light (LED)		
Status	Colour codes	Colours
Waiting period «tw», other waiting periods	○.....	Off
Ignition phase, ignition controlled	●○○●○○●○○●	Blinking yellow
Normal operation	□.....	Green
Operation, poor flame signal	□○□○□○□○□○	Blinking green
Illegal flame signal during start-up	□▲□▲□▲□▲□▲	Green-Red
Undervoltage	●▲●▲●▲●▲●▲	Yellow-Red
Fault, alarm	▲.....	Red
Blinking code for fault codes	▲○▲○▲○▲○	Blinking red
Interface diagnostics	▲▲▲▲▲▲▲▲	Red flicking

.....	Continuous
○	Off
▲	Red
●	Yellow
□	Green

3.4.2 Diagnosing alarm causes

After alarm disconnection, the red alarm signal light is lit continuously.

The diagnosing of the alarm cause can be read according to the following sequence:



3.4.3 Limiting of starting repetitions

LME 11... has a function with start repetition if the flame is not created at start or disappears during operation.. LME 11... allows max. three repetitions during continuous starting cycle.

3.4.4 Alarm code table

Red blinking code on signal lamp (LED)	Possible causes
Blinking 2 x ..	No flame creation at End of "TSA" - defective or fouled flame monitoring. - defective or fouled fuel valves. - poor burner setting. - defective firing device.
Blinking 3 x ...	"LP" defective - No air pressure switch signal after "t10". - "LP" is welded in open position.
Blinking 4 x	Illegal flame signal during start-up.
Blinking 5 x	Time out "LP" - "LP" is welded in open position.
Blinking 6 x	Free
Blinking 7 x	Too many flame disappearances during operation. - poor burner setting. - defective or fouled fuel valves. - defective or fouled flame monitoring.
Blinking 8 x	Free
Blinking 9 x	Free
Blinking 10 x	Connection fault or internal fault, outgoing contacts or other faults.
Blinking 14 x	CPI contact not closed.

During the diagnosing of the alarm cause, the control outputs are voltage-free.

- The burner is disconnected.
- Exception, alarm signal «AL» at board 10.
- Reconnection of the burner happens after resetting only.
- Press the reset button 0.5...3 s.

3.4.5 Interface diagnostics

To change to interface mode, press and hold the reset button longer than 3 s. To go back to the normal position, press and hold the reset button longer than 3 s. If the gas burner control is in the alarm position, it is reset by pressing the reset button 0.5...3 s.

4. Installation

4.1 General instructions

Installation must be carried out in accordance with current regulations and instructions.

The supplier/installer of the facility is obliged to familiarize himself with all regulations so that the installation meets the requirements of the local authorities.

Installation, assembly and settings must be performed to obtain the best possible function. Only gas intended for the gas burner may be used.

4.2 Instructions

It is the installer's responsibility to instruct the user in detail in the functions of the gas burner and the entire system.

4.3 Inspection and maintenance

The system must be maintained at the interval specified in the service schedule. If the burner is in a dirty environment, service should be done at more frequent intervals.

4.4 Preparation for assembly

Check that the burner's dimensions and capacity range match the current boiler. The power information on the type plate refers to the burner model's min. and max. effect.

4.5 Gas supply

In order to obtain good operational safety, it is important that the installation of the gas distribution system is carried out correctly, considering the following:

- Check that the burner is approved for the gas quality of the installation.
- Check that the burner gas components are approved for the specified gas pressure, see type plate.
- Installation must be carried out in accordance with current standards.
- Pipe lines should be assembled so that service can easily be performed on the boiler and burner.
- Pipe lines should be assembled so that any contaminants do not come into contact with the gas components.

4.6 Electric connection

- Before work on the electrical connection, the current must be disconnected so that the installation is isolated.
- Connection must be done in accordance with the applicable regulations.
- Connection must conform to the wiring diagram.



If any electrical connection other than that recommended by Enertech is used, there is a risk of property damage and personal injury.

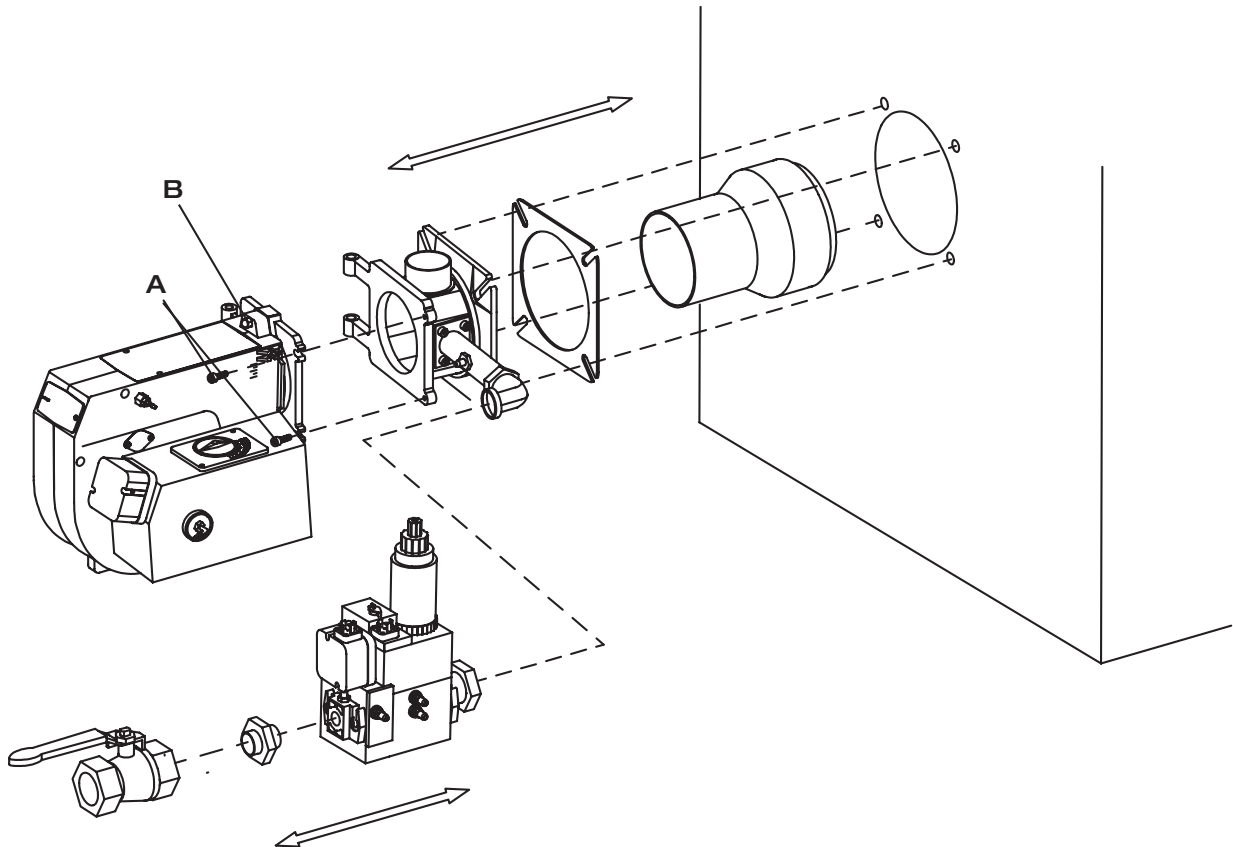
5. Mounting

The burner is mounted on the boiler according to the hole pattern on the fixing flange.

1. Remove the gas valve from the burner.
2. Remove fan housing by loosening nut (A), swing out fan housing. Disconnect ionisation and ignition cables from the electrodes. Remove nut (B) on hinged flange and lift fan housing off.
3. Install the fixing flange and the supplied gasket on the boiler. If new mounting holes need to be drilled, use the fixing flange as a template and fasten with M8-M12 screws.
4. Check that the electrodes are correctly set, see chapter Gas nozzle.
5. Mount the fan housing on the fixing flange and fasten with nut (B).
6. Connect the ionisation and ignition cables.
7. Fit the gas valve.
8. Connect the gas with the ball valve provided. Ensure that the pre-screwing, ball valve and tubings are done in such a way that the burner and boiler hatch can be easily used for servicing.
9. Connect the supply cable, operating and safety circuits.



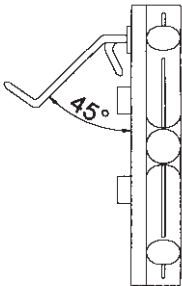
Check for leaks in the gas line.



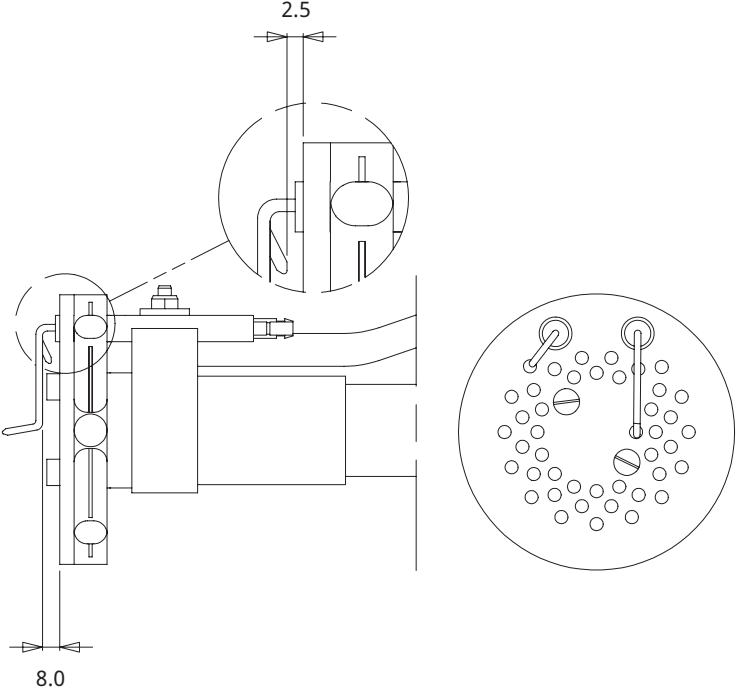
5.1 Gas nozzle

Check that the ignition and ionization electrodes are correctly set before mounting on the boiler.

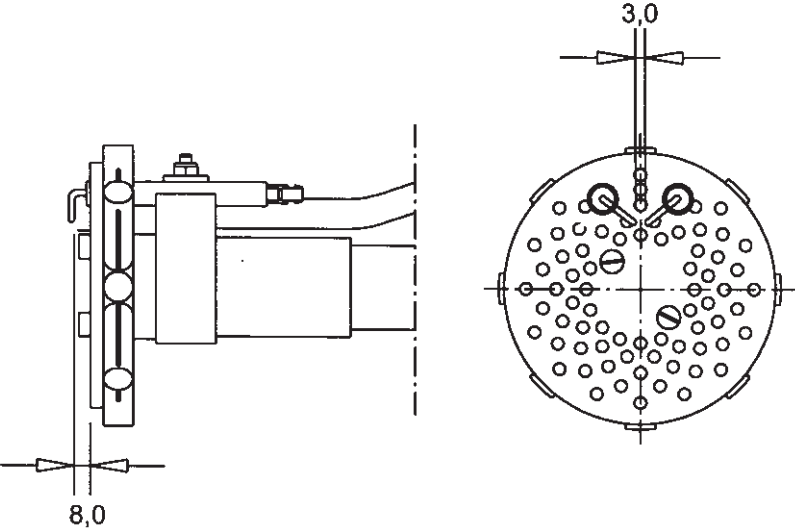
Propan



Natural gas



Biogas (UV detector)



5.2 De-aerating

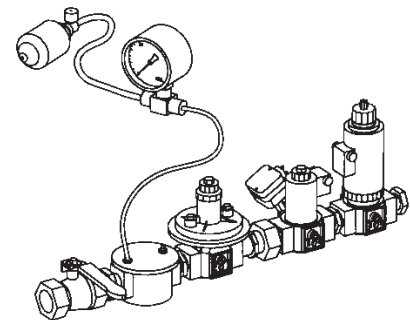
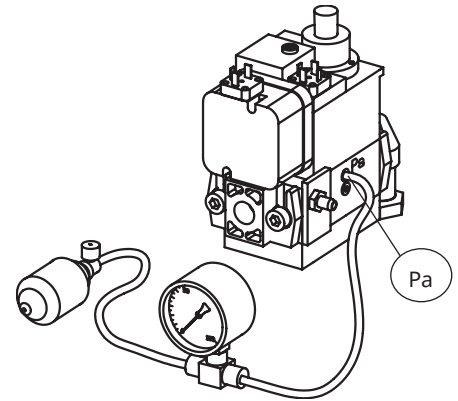
De-aerating the gas line by closing the tap to the gas connection and unscrewing the screw on the measuring nipple for the connection pressure. Connect a plastic hose, open the tap and drain the gas in a safe place. When the de-aerating is completed, be sure to refit the screw on the measuring nipple.

5.3 Tightness control

When checking for leakage, the solenoid valve must be closed. A pressure gauge is connected to the measuring nipple "Pa", see picture. The test pressure in the system must not be higher than max. connection pressure, see data plate. If leaks are found during measurement, locate the source using soapy water or leak detection spray. After sealing: check the tightness of the gas fixture again.



Check the gas tightness.



5.4 Calculation of gas flow

Formula symbol	Description	Example values
V_N	Standard gas volume [Nm ³ /h] Gas volume at normal condition 15 °C 1013 mbar	-
Q	Boiler output [kW]	230 kW
H_i	Lower calorific value of gas [kWh/m ³] Natural gas under normal conditions 15 °C 1013 mbar, EN 676	9.45 kWh/m ³
η	Boiler efficiency (e. g. 90%)	0.9
f	Conversion factor (pressure and temperature compensation)	-
t_{Gas}	Gas temperature at gas meter [°C]	15 °C
P_{Baro}	Barometric air pressure [mbar]	945 mbar
P_{Gas}	Pressure of gas at the gas meter [mbar]	20 mbar
V	Operating volume [m ³ /h]	-
VG	Gas flow measured at the gas meter [m ³]	0.75 m ³
T	Measuring time for consumed gas quantity [s]	90 s

Calculate standard volume using the following formula:

$$V_N = \frac{Q}{\eta \cdot H_i} \quad V_N = \frac{230 \text{ kW}}{0.9 \cdot 9.45 \text{ kWh/m}^3} = 27.0 \text{ m}^3/\text{h}$$

Calculate conversion factor using the following formula:

$$f = \frac{273}{273 + t_{Gas}} \times \frac{P_{Baro} + P_{Gas}}{1013} \quad f = \frac{273}{273 + 15} \cdot \frac{945 + 20}{1013} = 0.90$$

Calculate gas volume using the following formula:

$$V = \frac{V_N}{f} \quad V = \frac{27.0 \text{ m}^3/\text{h}}{0.90} = 30.0 \text{ m}^3/\text{h}$$

Determine operating volume with the following formula:

$$V = \frac{3600 \cdot V_G}{T} \quad V = \frac{3600 \cdot 0.75 \text{ m}^3}{90 \text{ sek}} = 30.0 \text{ m}^3/\text{h}$$

Height above sea level [m]	0	100	200	300	400	500	600	700	800	900	1000	1100	1200
P_{Baro} [mbar]	1013	1001	989	977	966	954	943	932	921	910	899	888	877

Calorific value of the gas

Gas quality		kWh/Nm ³	MJ/Nm ³
Natural gas	G20	9.5	34.02
Natural gas	G25	8.2	29.25

Gas quality		kWh/Nm ³	MJ/Nm ³
Butan	G30	32.25	116.09
Propan	G31	24.44	88.00
Biogas		6.0	21.60

Lower calorific value H_i at normal conditions 15 °C and 1013 mbar, EN 676.
For exact calorific value of the gas, contact the gas distributor.

6. Settings

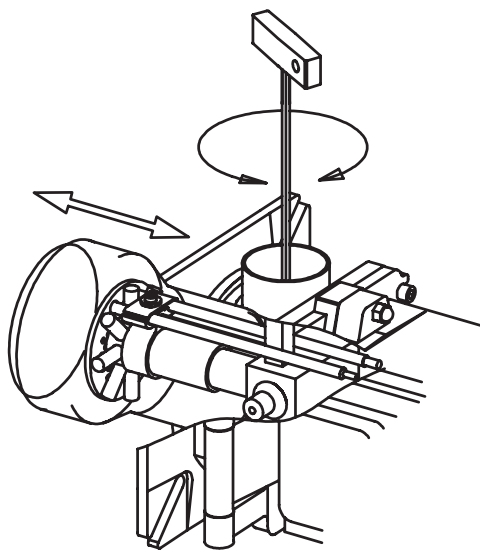
6.1 Brake plate adjustment

The position of the brake plate must be adjusted to achieve the most favorable pressure drop across the brake plate.

Loosen the screw on the adjustment device.

- To reduce the opening: turn the knob to the left.
- To increase the opening: turn the knob to the right.

The adjustment of the position of the brake plate affects the air flow. It is therefore always necessary to make a fine adjustment of the air by means of the adjustment device of the burner.



6.2 Control of burner head

To check the burner head, brake plate and electrodes, see chapter Service Combustion device.

6.3 Startup

After the burner has been mounted on the boiler and the electrical connection, de-aeration and tightness control have been performed, the burner is ready to start-up.

Read the sections dealing with settings of gas valve, damper motor and combustion device before start-up.

Open the ball valve and turn on the main switch, start the burner and begin setting up the system.

6.4 Control of combustion

Check combustion using flue gas analysis instruments. Set the burner to about 20% excess air and check that good combustion is obtained. Check the actual gas flow on the gas meter to ensure that the correct input power is achieved.

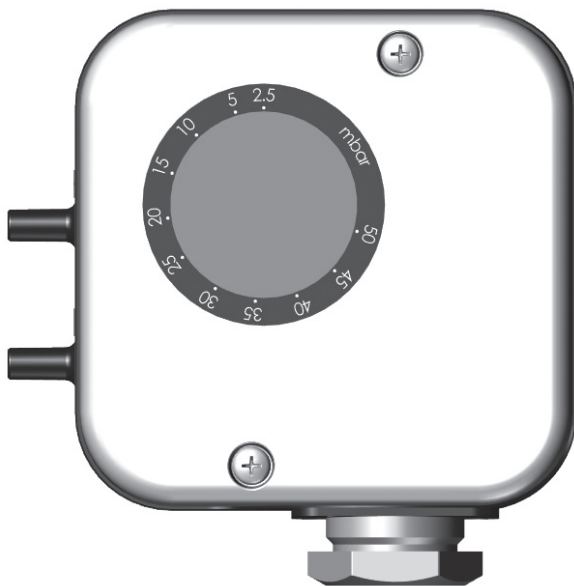
6.5 Setting the air pressure switch

The air pressure switch must block the burner if the amount of air for combustion becomes too low. The air pressure switch must be set so that in the event of a lack of air supply at the burner's max. or min. capacity reacts before the monitored pressure drops so much that poor combustion occurs.

1. Remove protective cover.

! Be careful when adjusting the air pressure switch; it contains a live component.

2. Start the burner.
3. Carefully turn the scale on the air pressure switch clockwise until the air pressure switch stops the burner.
4. Measure and note the lowest air pressure in the entire work area.
5. Set the air pressure switch to about 10-15% lower than the lowest noted pressure.
6. Test run the burner and check the function in the entire work area.
7. Refit protective cover.



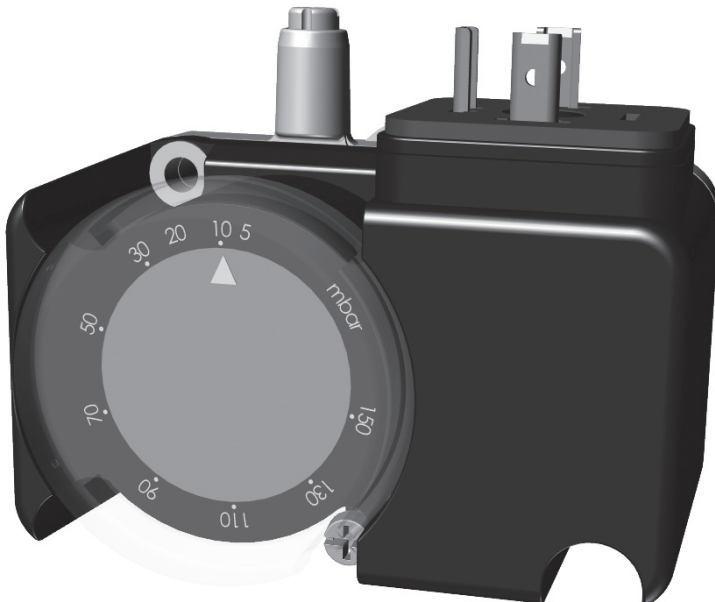
6.6 Setting the gas pressure switch min

The gas pressure switch must react to too low a connection pressure to the burner, prevent the burner from starting and stop the burner during operation. The burner may start again when the connection pressure has risen above the set pressure on the gas pressure switch.

1. Remove protective cover.
2. Open measuring socket and connect a manometer for measuring connection pressure.
3. Start the burner.
4. Measure and note the connection pressure to the burner at the highest input power.
5. Set the gas pressure switch to a value 10-15% lower than the noted pressure.
6. Check the setting by carefully closing the ball valve and at the same time measuring the connection pressure.
7. When the gas pressure switch stops the burner, the measured value must approximately correspond to the setting on the gas pressure switch.
8. Open ball valve.
9. Remove manometer and close measuring socket.
10. Refit protective cover.



Check gas tightness.



6.7 Settings Damper motor, 2-stage

Air adjustment

The damper motor rotates the air damper between three preset positions: completely closed, low load and high load. These positions are controlled in the motor by colored cam discs, the black cam disc controls the switching on/off of the solenoid valve. Adjust the amount of air by changing the position of the cam discs.

Blue cam disc is the limit position for closed air dampers and does not normally need to be changed.

Low load

- Set control switch for load position to position II (high load).
- Turn orange cam disc to 0° to reduce airflow and to 90° to increase airflow.
- Return the control switch to position I (low load) and check the combustion values.

High load

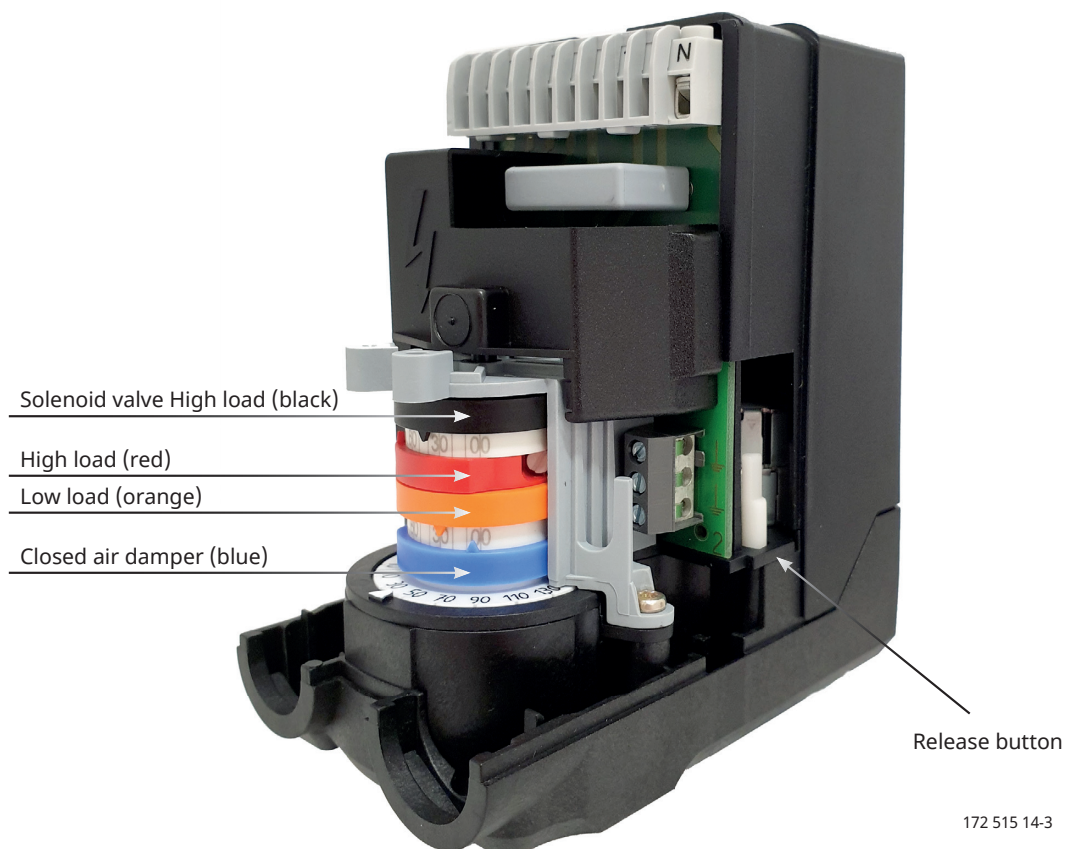
- Set control switch for load position to position I (low load).
- Turn red cam disc to 0° to reduce airflow and to 90° to increase airflow.
- Place black cam disc in a position between red and orange cam discs and adjust to obtain a good load change.
- Return the control switch to position II (high load) and check the combustion values.

Release

By pressing the button, the motor is disengaged and the air damper can be turned. The function is used when servicing air dampers.

Recommended excess air

Gas quality	Excess air flue gases		Max % CO ₂
	% O ₂	% CO ₂ Lambda 1.2	
Natural gas	3 - 5	≈10	11.9
Propane	3 - 5	≈11.5	13.9
Butane	3 - 5	≈11.5	14.1
Liquefied petroleum gas	3 - 5	≈11	13.8
Biogas	3 - 5		



172 515 14-3 2022-10-27

7. Leakage control VPS 504

7.1 Technical data

Test volume	≤	4,0 l
Pressure increase using motor pumps	≈	20 mbar
Backup (customer supply)		10A fast or 6.3A slow
Fuse integrated in housing, replaceable		T6, 3L 250V (IEC 127-2/111) (DIN41662)
Switching capacity		Operating outputs SO1, SO2, SO4: 4A Fault output T7: 1A Fault output SO4 1, 2, 3, T7: 1A
Release time	≈	10 - 30 s Dependent on test volume and input pressure.
Sensitivity limit		50 l/h
Max. number of test cycles		20 /h

7.2 Program sequence

Idle state: Valves 1 and 2 are closed. Pressure buildup: The internal motor pump increases the gas pressure p_e in the section by approx. 20 mbar compared with the input pressure at valve V1. During the test time, the integrated differential pressure sensor monitors the test section for leaks. When the test pressure is attained, the motor pump switches off (end of test period). The release time (10-30 s) is dependent on the test volume (max. 4.0 l).

If the test section has no leaks, the contact is released to the control box after approx. 30 s and the yellow LED lights up.

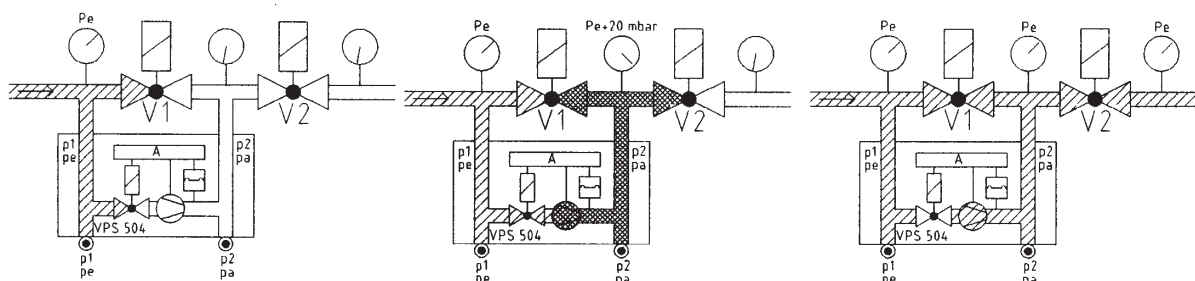
If the test section is leaky or if the pressure increase by + 20 mbar is not attained during the test period (max. 26 s), the VPS 504 generates a fault. The red LED is lit as long as the contact is released by the regulator (heat requirement).

After a short voltage drop during testing or during burner operation, an automatic restart is performed.

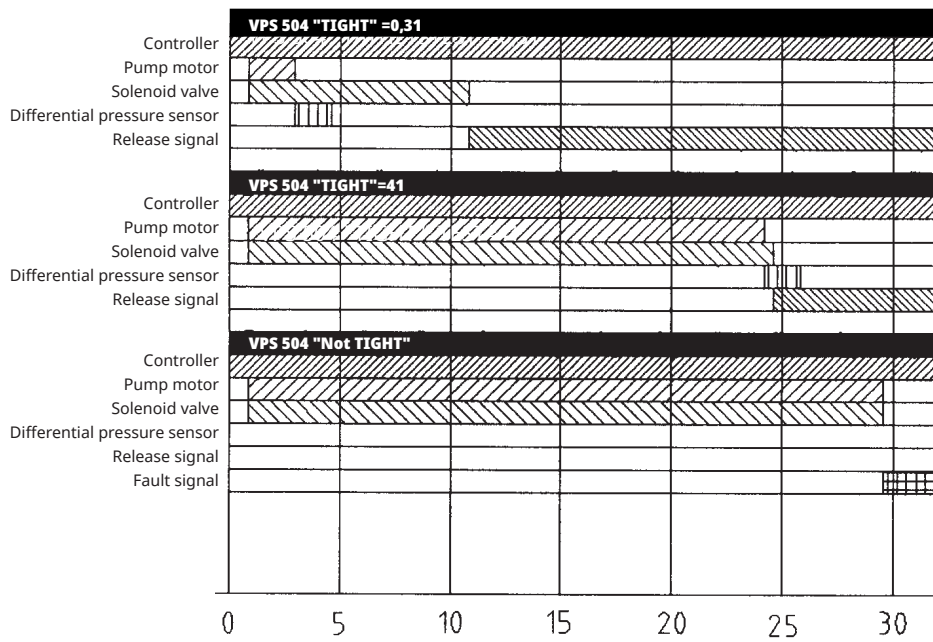
Programmer Idle state

Pressure buildup

Operation



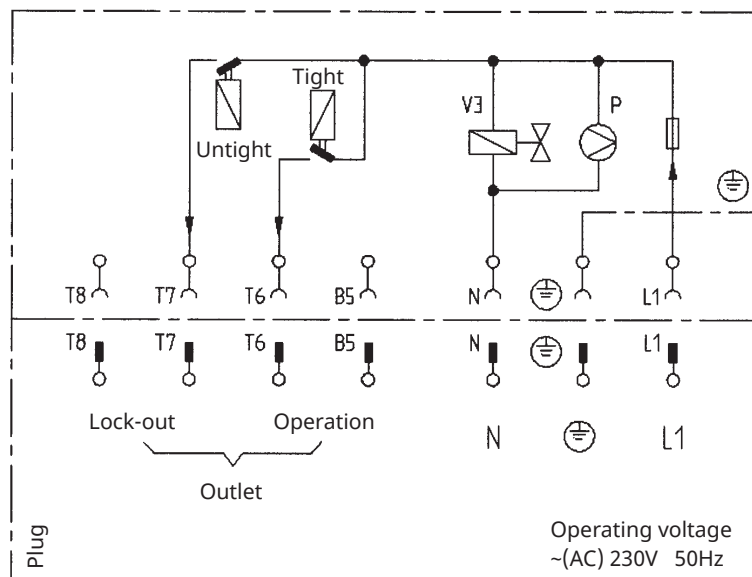
7.2.1 Program sequende schedule



7.3 Electrical connection

The VPS 504 is connected in series between the temperature regulator and the control box via a 7-pin plug connector.

See wiring diagram!



8. Gas pressure regulator

Type FRS

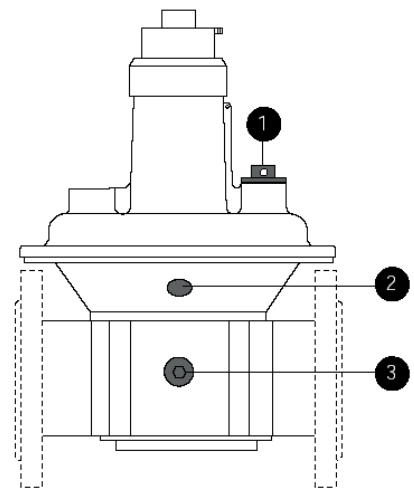
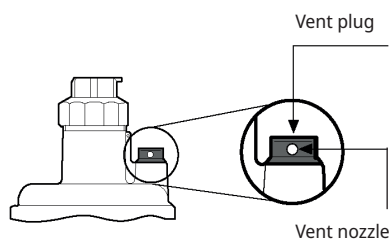
Nominal diameters Rp 3/8 - Rp 2 1/2
DN 40 - DN 150



Never close vent nozzle!

Pressure taps

1. Vent plug
2. Connection for external pulse G 1/4 screw plug ISO 228, on both sides, optional.
3. G 1/4 screw plug ISO 228, in inlet pressure range, on both sides



Max. operating pressure	500 mbar
Pressure regulator	Class A
Ambient temperature	-15 °C ... +70 °C
Inlet pressure range	5 - 500 mbar
Family	1 + 2 + 3
Outlet pressure range	2,5 - 200 mbar

Adjustment of outlet pressure
(setpoint adjustment)
Factory setting: Standard spring p 2
10-30 mbar

1.

1. Unscrew protective cap A.
2. Adjustment (+) Setting spindle B "Turn counter-clockwise" = Increasing outlet pressure (setpoint)

or

2.

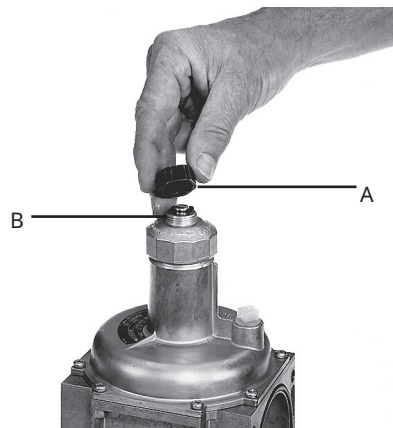
Adjustment (-) Setting spindle B "Turn clockwise" = Reducing outlet pressure (setpoint)

4. Check setpoint

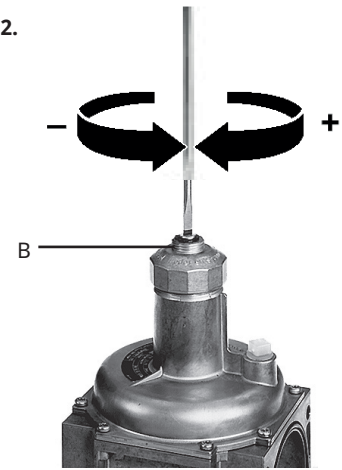
5. Screw on protective cap A.

6. Attach lead seal (Page 5).

1.



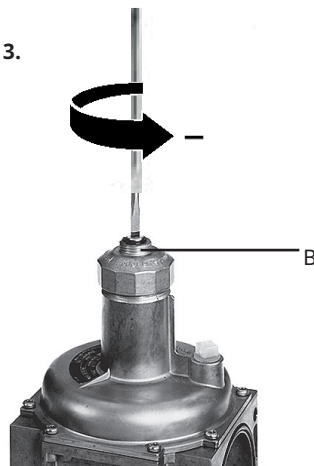
2.



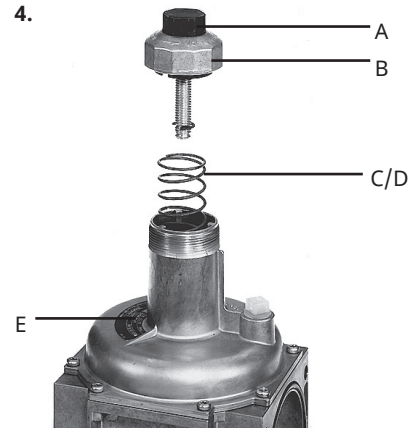
Replace setting spring 3-4

1. Remove protective cap A. Release spring by turning adjustment spindle B counter clockwise. Turn spindle to stop.
2. Unscrew complete adjustment device B and remove spring C.
3. Insert new spring D.
4. Assemble complete adjustment device and adjust desired off-set.
5. Screw on protective cap A. Stick adhesive label E onto typeplate.
6. Attach lead seal.

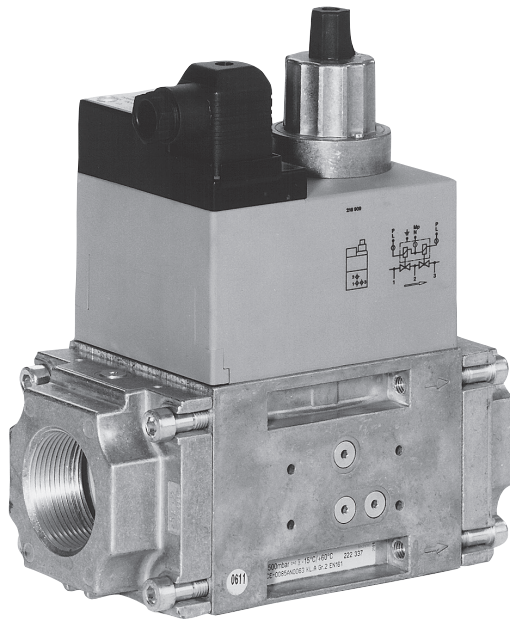
3.



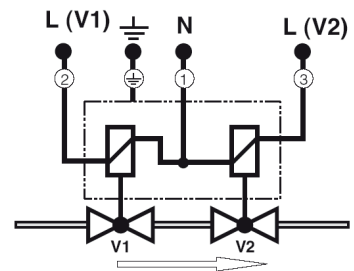
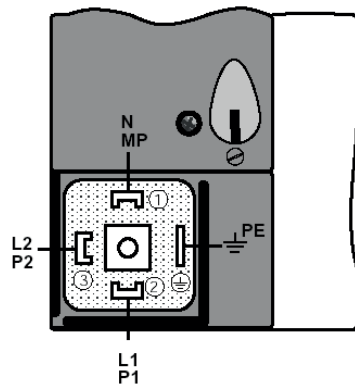
4.



9. Double Solenoid Valve DMV-DLE



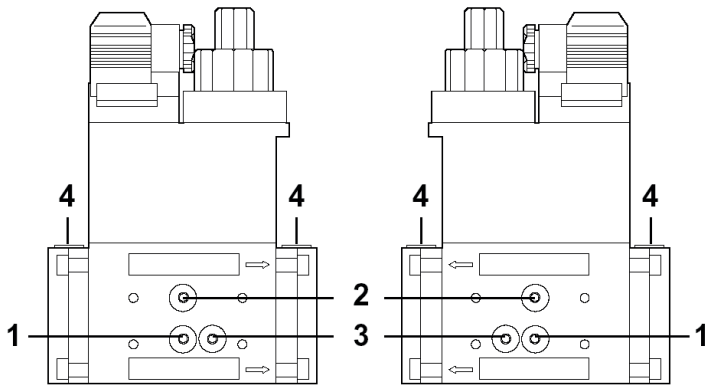
Nominal widths Rp 1/2 - Rp 2
Electrical connection IEC 730-1
(VDE 0631 T1)



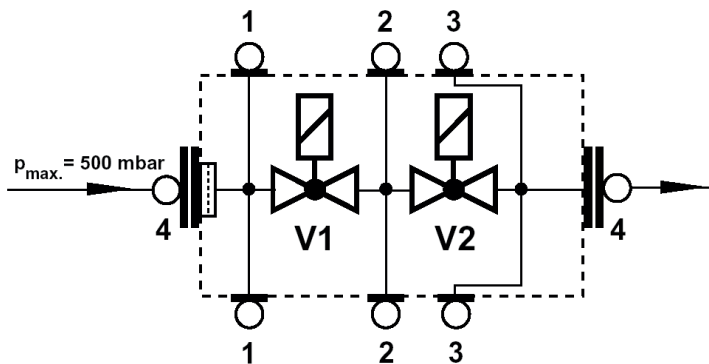
9.1 Technical data

Volt	U _n ~ (AC) 230 V
Valve	2 x Class A
Ambient temperature	-15 °C ... +60 °C
IP	54
Family	1 + 2 + 3
Max. operating pressure	500 mbar

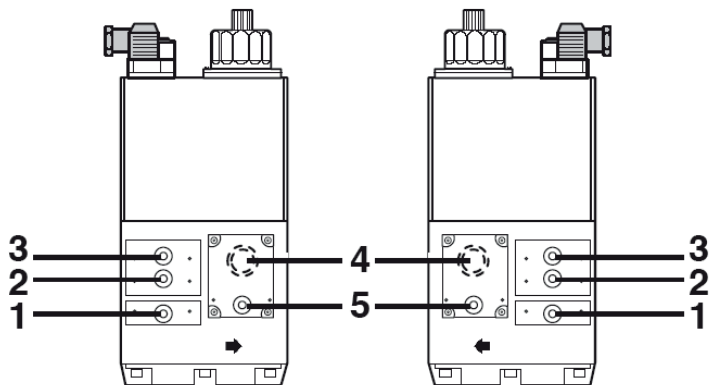
9.2 DMV-DLE 512-520/11



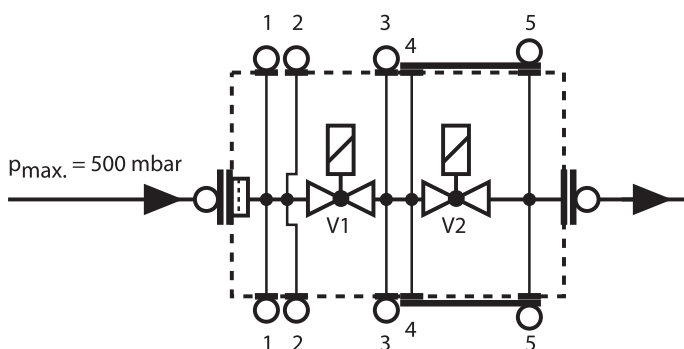
Pressure outlet 1, 2, 3, 4

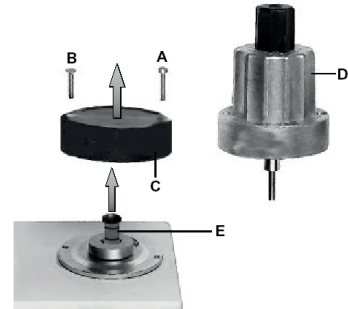
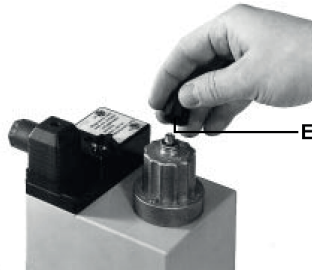
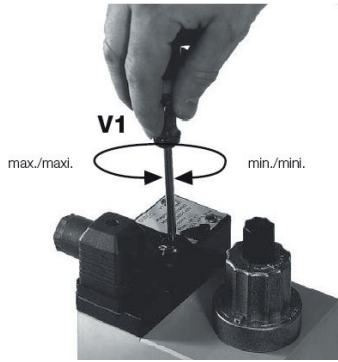


9.3 DMV-DLE 525/11



Pressure outlet 1, 2, 3, 5





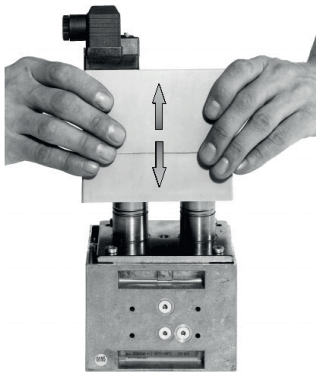
Main flow setting only possible at V1! Set main volume on open valve. Set valve V1 during operation. Check setting values continuously. Smallest setting volume flow:

Rapid stroke adjustment V start
Factory setting DMV-DLE: Rapid stroke not adjusted

1. Unscrew the adjustment cap E from the hydraulic brake.
2. Turn the adjustment cap and use as a tool.
3. Turn a-clockwise = increase rapid stroke (+).

Replacing hydraulic brake unit or adjustment plate

1. Switch off firing system.
2. Remove locking varnish from countersunk screw A.
3. Unscrew countersunk screw A.
4. Unscrew socket head screw B.
5. Raise adjustment plate C or hydraulic brake D.
6. Remove sealing plug E
7. Exchange adjustment plate C or hydraulic brake D
8. Screw in countersunk and socket head screw. Only tighten socket head screw so that hydraulic brake can just be turned.
9. Coat countersunk screw A with locking varnish.
10. Leakage test: Pressure tap at sealing plug 2: DMV 507-520/11 Pressure tap at sealing plug 3: DMV 525/11 p max. = 500 mbar.
11. Perform functional test.
12. Switch on firing system.

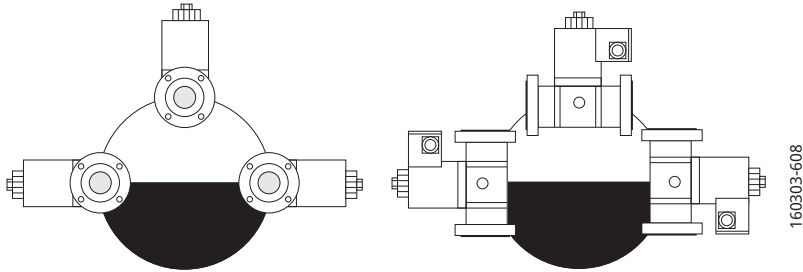


Replacing the solenoid versions with hydraulic brake

1. Remove hydraulic brake or adjusting plate as described on page 6: "Replacing the hydraulic brake or adjusting disk", steps 1 - 5.
2. Replace solenoid
Important: Make sure that the solenoid no. and voltage are correct!
3. Remount hydraulic brake or adjusting plate as described on page 6: "Replacing the hydraulic brake or adjusting plate", steps 7 -11.

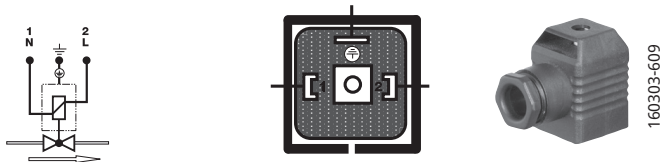
10. Gas solenoid valve MVD 210/5 / MVD 215/5

10.3.1 Installation position

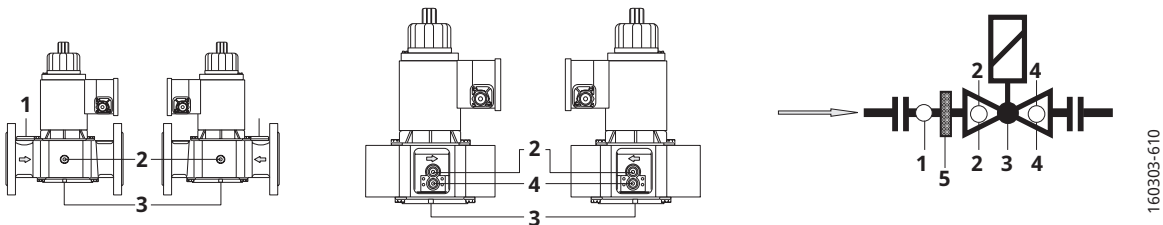


10.3.2 Electrical connection

Grounding acc. local regulations. AC

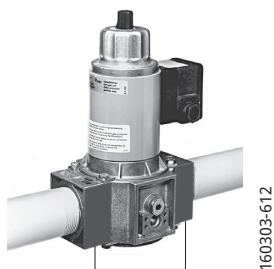


10.3.3 Pressure taps

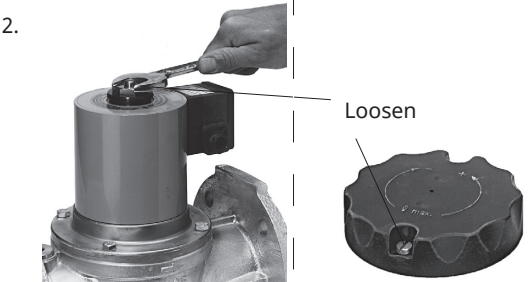
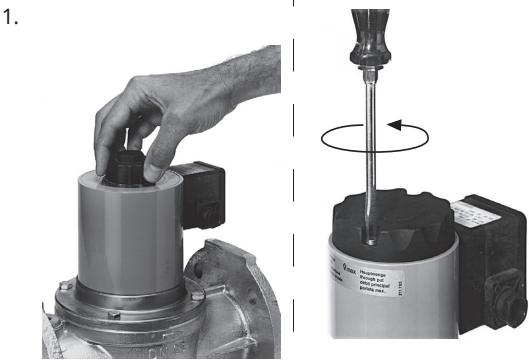


1. Only flange version from DN 25 Sealing plug G3/4 DIN ISO 228
2. Sealing plug G1/4 DIN ISO 228
3. Connection for C.P.I. Sealing plug G1/8 DIN ISO 228
4. Only threaded version. Bypass port under cover, optional.
5. Sieve

10.3.4 Mounting




10.3.5 Setting the main flow



11. Service

Service and maintenance work may only be performed by qualified personnel. Perform operational check of all safety systems and components at each service. Only Enertech original parts should be used when replacing components.

 Use caution when operating the burner, surfaces may be hot.



11.1 Burner Service Schedule, Gas

Servicing must be carried out once a year or after 3,000 hours of operation.

Burner	1 year	3,000 h
Inspection of electrical installation	1 year	3,000 h
Leak check	1 year	3,000 h
Filter	1 year, replacement at $\Delta p > 10$ mbar	3,000 h, replacement at $\Delta p > 10$ mbar
Electrodes	Replacement/cleaning 1 year	Replacement/cleaning 3,000 h
Brake plate	Replacement/cleaning 1 year	Replacement/cleaning 3,000 h
Motor	1 year	3,000 h
Fan wheel	1 Year Replace if need for cleaning/imbalance	3,000 h Replace if need for cleaning/imbalance

11.2 Component replacement intervals

Components	Service life - Recommended replacement	Service life - Recommended replacement Operating cycles
Control system	10 years	250,000 starts
Valve control system	10 years	250,000 starts
Pressure switch	10 years	250,000 starts
Ignition system with flame guard	10 years	250,000 starts
UV flame sensor	10,000 h	N/A
Gas pressure controls	15 years	N/A
Gas valve without leak testing	10 years	250,000 starts
Gas valve with leak testing	Replacement upon fault detection	N/A
Gas pressure switch	10 years	250,000 starts
Safety blow-off system	10 years	N/A
Damper motor	N/A	500,000 starts
Contactors	10 years	500,000 starts



The burner and its components must be recycled according to applicable regulations.

11.3 Combustion device

1. Disconnect the main power and shut off the fuel supply.

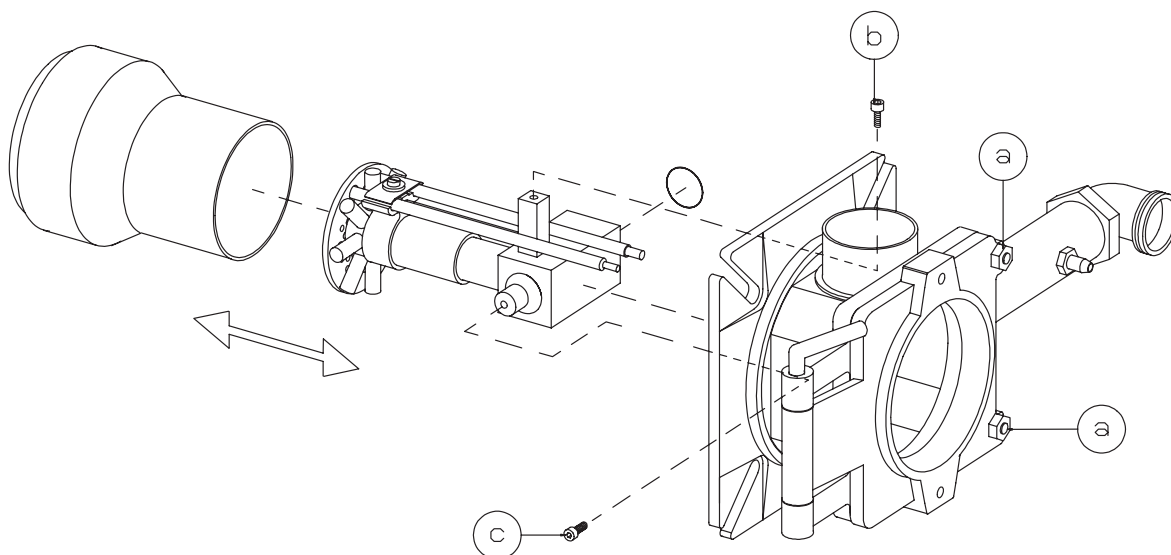


Before obtaining access to electrical and fuel line components all supply circuits must be disconnected.

2. Loosen screws (A) and swing the burner out.
3. Disconnect the ignition and ionisation cables.
4. Check the position of the combustion device. Loosen screw (B) to remove the adjustment device.
5. Loosen screw (C) and remove the combustion device.
6. Check and clean the brake plate and gas inlet, replacing components if necessary.
7. Check the ignition and ionisation electrodes, replace if necessary (see chapter Gas nozzle).
8. Refit the combustion device in reverse order.
9. Press the burner together and lock with screws (A).
10. Turn on the main power and open the fuel supply.
11. Start burner and check/adjust combustion.



Check for leaks in the gas line.



When servicing/replacing components that affect combustion, flue gas analysis and soot test shall be carried out on the installation.

11.4 Air damper

1. Disconnect the main power and shut off the fuel supply.

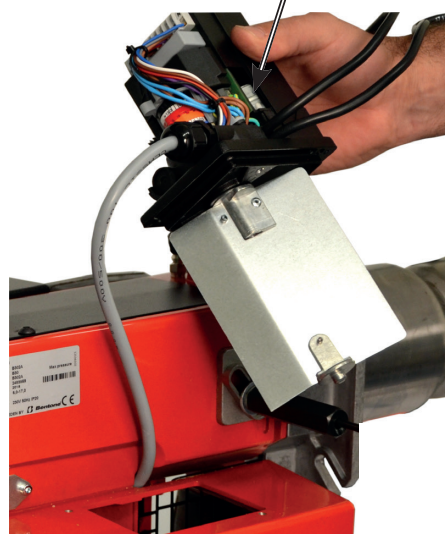
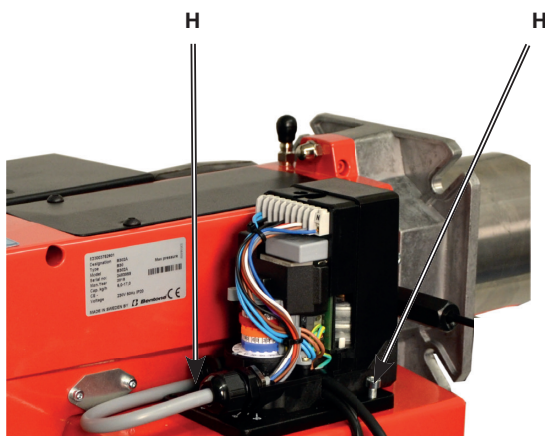


Before obtaining access to electrical and fuel line components all supply circuits must be disconnected.

2. Remove the cover on the damper motor.
3. Detach the solenoid valve cables from the fuel valve.
4. Remove the intake grille at the air intake.
5. Release the damper motor.
6. Remove the screws (H) securing the damper motor mounting plate.
7. Turn the damper approx. 60°.
8. Lift up the damper motor.
9. Clean the air damper and air intake, lubricate the damper shaft if necessary.
10. Refit the damper motor and mounting plate on the air intake. Make sure the damper shaft is properly mounted.
11. Refit the intake grille.
12. Release the button on the damper motor.
13. Switch on the main power and open the fuel supply.
14. Start burner and check/adjust combustion.

Releasing button:

By pressing the button and snapping it down, the motor will be released and the damper can easily be turned. This function facilitates an exchange of damper motor.



When servicing/replacing components that affect combustion, flue gas analysis and soot test must be carried out following installation.

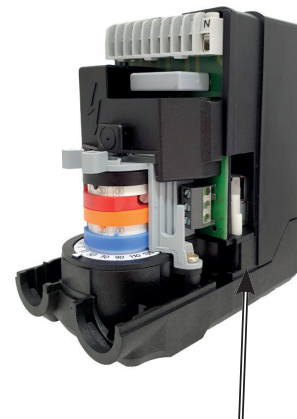
11.5 Replacement, Damper motor air

1. Disconnect the main power and shut off the fuel supply.



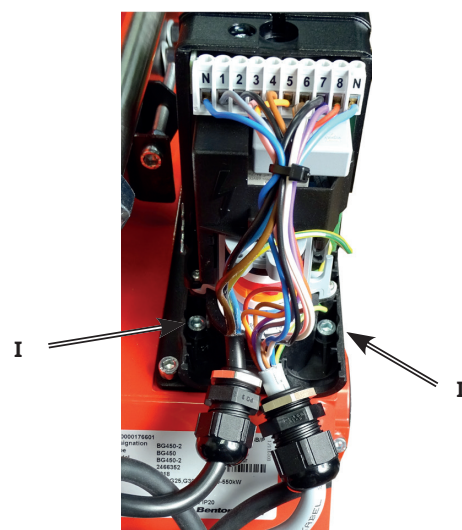
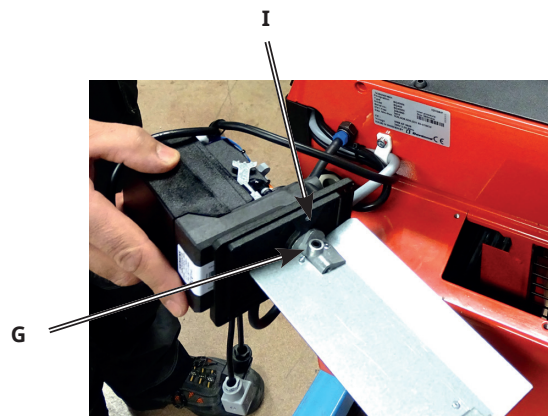
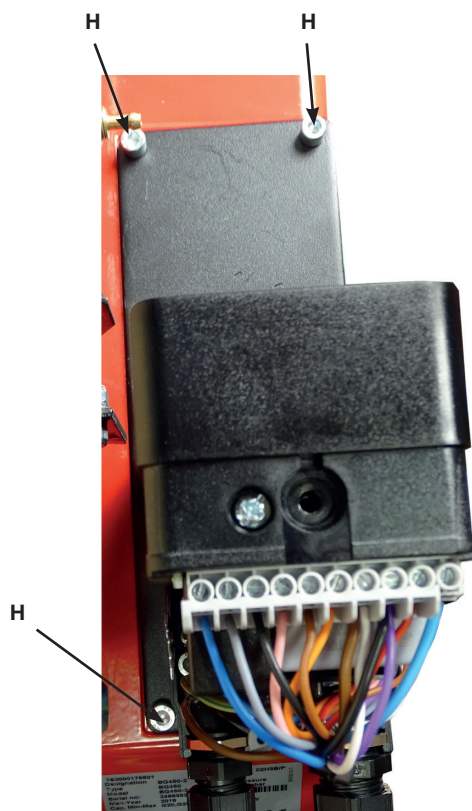
Before obtaining access to electrical and fuel line components all supply circuits must be disconnected.

2. Note the connection position of cables to the damper motor.
3. Disconnect cables from damper motor.
4. Loosen screws (H) to the damper motor fixing plate.
5. Disengage the damper motor and turn it to approx. 60°.
6. Lift up damper motor.
7. Loosen the screw (G) and remove the damper from the motor shaft.
8. Loosen screws (I) securing the damper motor to the fixing plate. Adjust the cams of the new damper motor according to the replaced motor, see chapter "Setting Damper motor" and fit the fixing plate.
9. Fit the damper on the shaft of the damper motor. It is important that the screw is perpendicular to the flat surface of the shaft.
10. Refit the damper motor and mounting plate on the air intake.
11. Connect the damper motor cable.
12. Switch on the main power and open the fuel supply.
13. Start burner and check/adjust combustion.



Releasing button

By pressing the button and snapping it down, the motor will be released and the damper can easily be turned. This function facilitates an exchange of damper motor.



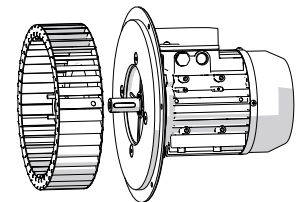
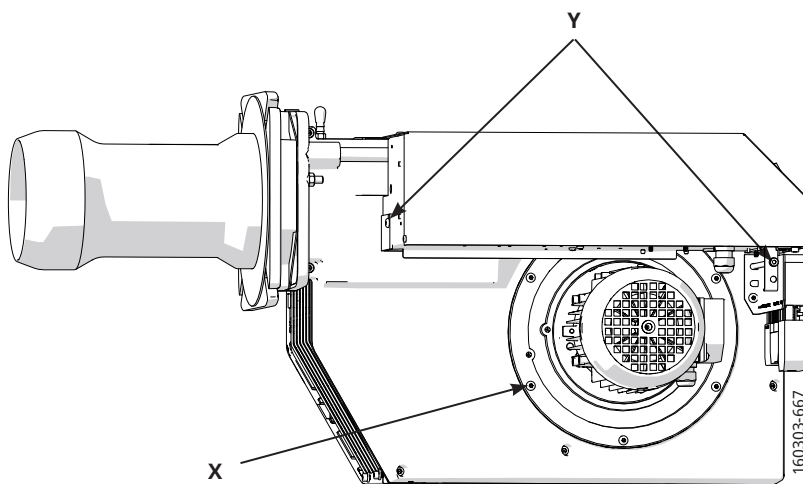
11.6 Fan

1. Disconnect the main power and shut off the fuel supply.



Before obtaining access to electrical and fuel line components all supply circuits must be disconnected.

2. Detach the electrical panel (Y).
3. Loosen the motor electrical connection and screws (X) enough to turn and lift out the motor.
4. Check the fan wheel attachment and any skew, replace if damaged.
5. Clean or replace the fan wheel.
6. Refit the parts.
7. Switch on the main power and open the fuel supply.
8. Start burner and check/adjust combustion.



When servicing/replacing components that affect combustion, flue gas analysis and soot test must be carried out following installation.

11.7 Replacement of electrical components

1. Disconnect the main power and switch off the fuel supply.



Before obtaining access to terminals, all supply circuits must be disconnected.

2. Note the connection of the existing component and disassemble.
3. Fit new component with same connection or with specified alternative connection.
4. Switch on the main power and check the operation of the new component.
5. Start burner and check/adjust combustion.



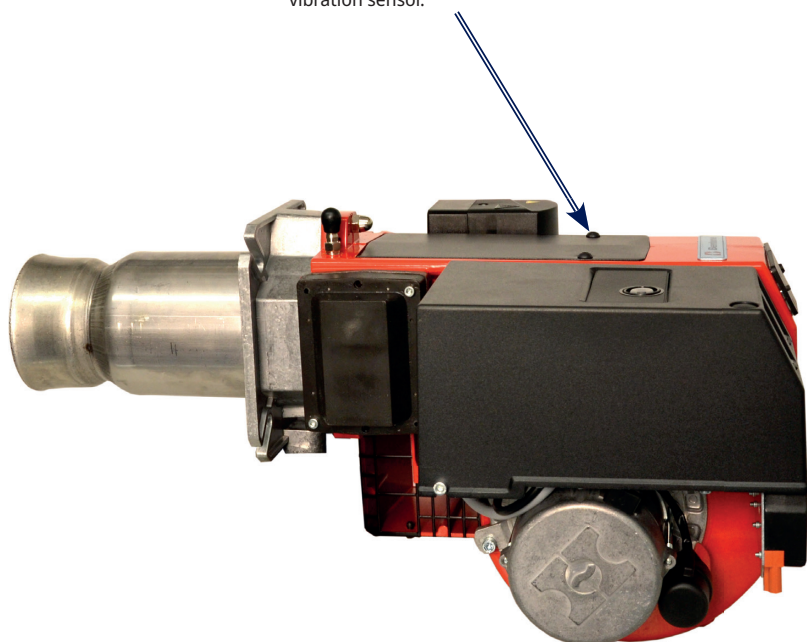
When servicing/replacing components that affect combustion, flue gas analysis and soot test must be carried out following installation.

11.8 Vibrations

Maximum permitted vibration level is 5.0 mm/s.

- Check tightness of fasteners.
- Check fan wheel for damage and contamination (replace if necessary).
- Check motor shaft and bearings. If they are worn, replace the motor.

Use the screw on the cover to attach the vibration sensor.



11.9 Control of flame monitoring and ionization current

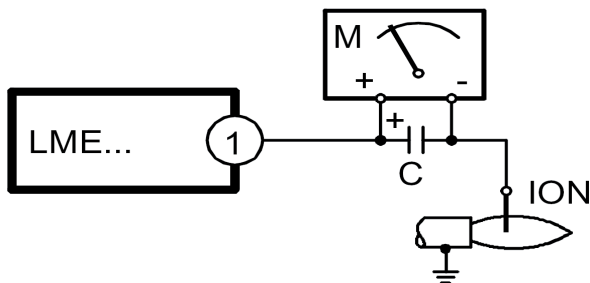
The burner is monitored in the standard version according to the ionization principle. The ionization current must be checked at each service occasion.

The ionization current is measured with a microammeter (μA) which is connected in series with the flame electrode and the gas burner control. Connect the μA meter as shown below. The minimum required ionization current is shown in the table. During normal operation, this current must be significantly higher, preferably more than $10\ \mu\text{A}$.

The reason for too low ionization current can be creep current, poor connection to earth, dirt or that the flame electrode may need to be adjusted. The wrong gas/air mix can also cause too low ionization current.

Technical data	
Idle voltage at ION-terminals	AC 115-230V
Short-circuit current	Max. AC 100-300 mA
Min. current for flame detection	Min. DC $1.5\ \mu\text{A}$
Required current to ensure detection	Min. DC $3\ \mu\text{A}$
Possible detection current	Max. DC $20\ \mu\text{A}$
Operational indicator lamp flashes green	$<5\ \mu\text{A DC}$
Operational indicator lamp shines green	$>5\ \mu\text{A DC}$

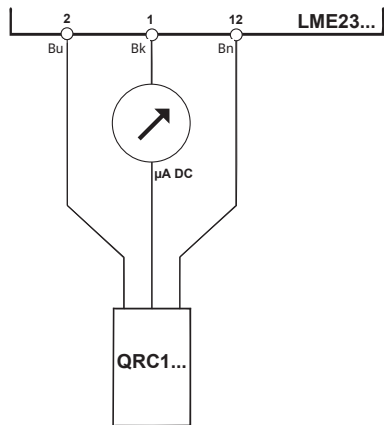
11.9.1 Flame monitoring ionisation



11.9.2 UV -detector (QRC)

The UV sensor should not be exposed to temperatures higher than 60 °C. The current passing through the UV sensor when it is lighted must be at least 70 μA . The current can be measured using a rotary coil instrument. A check is necessary only if a malfunction is suspected.

11.9.3 Flame monitoring UV-detector (QRC)



Technical data	
Idle voltage at ION-terminals	AC 115-230V
Short-circuit current	Max. AC 100-300 mA
Max. current for flame detection	Max. DC 5.5 μA
Required current to ensure detection	Min. DC 40 μA
Possible detection current	Max. DC 60 μA
Operational indicator lamp flashes green	<45 μA DC
Operational indicator lamp shines green	>45 μA DC

12. Handing over of the installation

- Make repeated start attempts to ensure that the adjustments function.
- Close the ball valve during operation to check that the gas switch switches off at the set value.
- Remove the hose for the air pressure switch to check that the burner locks out.
- Check that all protective covers and measurement nipples are mounted and fastened.
- Fill out necessary test reports.
- Instruct the persons in charge of the operation on the service and maintenance of the installation and what to do should any troubles occur.
- Inspection and service must be carried out by authorized personnel.



Review and service should be performed by authorised personnel only.

13. Troubleshooting

Conditions favourable to trouble-free operation of the system can only be guaranteed through the interaction between three factors: electricity, gas flow and combustion air. If any of these factors change, it may cause a malfunction.

Before requesting servicing, check the following points:

1. Are the system's gas taps open?
2. Are the fuses intact and is the power on?
3. Are control devices (room thermostat, boiler thermostat, etc.) correctly set?
4. Is there sufficient gas pressure to the burner?
5. Are the burner controls on standby and not locked?
6. Is there sufficient air supply to the burner?

Cause of fault	Action
Burner does not start:	
No gas.	Make sure all gas taps are open.
No power.	Check the fuse, thermostat and electrical connections.
Burner motor does not start.	Motor protection has tripped. Motor faulty.
Burner control faulty.	Replace.

Burner motor running, no ignition spark at the end of pre-aeration:	
No power in the terminals.	Check the connector. Replace faulty burner controls.
Ignition electrodes in contact with each other or earth.	Adjust.
Ignition electrode porcelain damaged.	Replace the electrodes.
Poor connection to cable connectors.	Adjust connection.
Ignition cables damaged.	Replace.
Transformer damaged, no power to secondary winding.	Replace the transformer.
Ignition cable and ionisation cable swapped around.	Reconnect.

No flame propagation:	
Gas solenoid valve faulty.	Replace.
Gas solenoid valve does not open despite having power.	Replace solenoid valve terminals, or entire valve.
No power to solenoid valve.	Check the connection.
No electrical connection through air pressure gauge.	Check the air pressure gauge's settings and functions.
Ignition load incorrectly set.	Increase/decrease gas supply Reduce airflow.
Burner control faulty	Replace
Air pressure gauge incorrectly set or faulty	Check the settings and reset, or replace
No acknowledgement signal due to incorrect adjustment or misalignment of the control motor cams.	Check the settings and realign.

Burner trips after safety time limit despite flame propagation:	
No ionisation current or UV cell incorrectly positioned.	Adjust ionisation electrode and UV cell Check cables and connectors.
Burner control monitor faulty.	Replace burner control.
Voltage lower than 185V.	Contact an electrician.
Ignition electrodes disrupting ionisation current.	Adjust ignition electrodes. Re-polarise the transformer.
Poor earth connection.	Ensure adequate earth connection.
Phase and neutral swapped around.	Check wiring diagram and change accordingly.

Cause of fault	Action
Burner trips during pre-aeration:	
Air sensor faulty or incorrectly set.	Increase/decrease air setting. Reduce air volume.
Ignition load incorrectly set.	Increase/decrease gas supply Reduce airflow.
Gas pressure too low.	Increase pressure. If necessary, contact gas supplier.

Pulsations at start-up:	
Ignition electrodes incorrectly set.	Adjust .
Gas pressure too high.	Check and adjust using pressure gauge and pressure control valve.
Flue gas side blocked.	Check the chimney flue.

Burner pulsates during operation:	
Burner incorrectly set.	Adjust.
Burner dirty.	Clean the burner.
Incorrect chimney.	Check and modify dimensions if necessary.

Burner functioning properly but with occasional blockage:	
Ionisation current too low.	Check. Must be at least 6µA, but should ideally lie between 8-20µA.
UV cell incorrectly positioned.	Adjust.
Voltage drop at certain times.	Must not drop below 15% of rated voltage. Contact an electrician if necessary.
Incorrectly set or faulty air sensor.	Check the settings and reset, or replace.
Ignition electrode overload.	Replace.
Burner control ambient temperature too high.	Insulate for heat, Max. 60 °C.
Ignition spark too weak.	Check the transformer.

Poor combustion:	
Poor draught conditions.	Check the chimney.
Flue gas temperature too high.	Boiler overloaded Decrease the gas volume, sweep the chimney if necessary.
CO2 content too low.	Choke the air supply. Check the boiler for any leakages. Choke the draught if too high.

CO content too high:	
Surplus air when using natural gas and liquefied petroleum (propane, butane).	Choke the air supply.
Poor air supply.	Open the air supply. Check flue gas damper.
Holes in gas nozzle clogged.	Clean.
Poor fresh air intake.	Check and increase.
Flame at incorrect angle due to combustion head out of position.	Check the combustion head and readjust.

Condensation build up in boiler and chimney:	
Flue gas temperature too low or gas volume too low.	Raise the flue gas temperature by increasing gas volume Insulate the chimney.

14. Service- and inspection protocol

Installation		Boiler		
Name:		Type:		Efficiency kW:
Address:		Burner		
		Type:		Efficiency kW:
Installed by:		Date:		

Date	Nm ³ gas/h	Governor		CO ₂	CO	Fluegas temp	Ionisation current	Pressure		Efficiency
		Before	After					Fire room	Chimney	
Measurement				%	%	°C	µ A	mbar	mbar	%
	Small Flame									
	Large Flame									
	Measures									

Date	Nm ³ gas/h	Governor		CO ₂	CO	Fluegas temp	Ionisation current	Pressure		Efficiency
		Before	After					Fire room	Chimney	
Measurement				%	%	°C	µ A	mbar	mbar	%
	Small Flame									
	Large Flame									
	Measures									

Date	Nm ³ gas/h	Governor		CO ₂	CO	Fluegas temp	Ionisation current	Pressure		Efficiency
		Before	After					Fire room	Chimney	
Measurement				%	%	°C	µ A	mbar	mbar	%
	Small Flame									
	Large Flame									
	Measures									



EU Declaration of conformity

Bentone Gas Burners

Type:	Certificate No.	Type:	Certificate No.
BFG 1	CE-0123CT1269	BG 550	CE-0123CT1326
STG 120	CE-0123CT1270	BG 650	CE-0123CT1348
STG 146	CE-0123CT1281	BG 700	CE-0123CT1359
BG 300	CE-0123CT1292	BG 800	CE-0123CT1360
BG 400	CE-0123CT1304	BG 950	CE-0123CT1371
BG 450	CE-0123CT1315		

This declaration of conformity is issued under the sole responsibility of the manufacturer.
The object of the declaration described above is in conformity with:

- **Gas Appliance Regulation 2016/426/EU**
- **Machinery Directive 2006/42/EC**
- **EMC 2014/30/EU**
- **The Restriction of the Use of Certain Hazardous Substances (RoHS) Directive 2011/65/EU**

References to the relevant harmonised standards used or references to the other technical specifications in relation to which conformity is declared:

EN 676:2020 Excluding the requirements of Annex J/K.
Automatic forced draught burners for gaseous fuels.

Additional information can be downloaded at: www.bentone.com

Manufacturer: Enertech AB
Näsvägen 8
SE-341 34 LJUNGBY
Sweden

Notified Body: TUV SÜD Product Service GmbH
Ridlerstraße 65
D-80339 München, Germany
Notified Body Number: 0123

Ljungby, 2022-10-10

Joachim Hultqvist

Technical Manager
Enertech AB

Ola Karlsson

Quality Manager
Enertech AB

UK Declaration of conformity

Bentone Gas Burners

Type:

BFG 1	BG 300	BG 550	BG 800
STG 120	BG 400	BG 650	BG 950
STG 146	BG 450	BG 700	

This declaration of conformity is issued under the sole responsibility of the manufacturer.
The object of the declaration described above is in conformity with:

- **Gas Appliances (Enforcement) and Miscellaneous Amendment Regulations 2018**
- **Supply of Machinery (Safety) Regulations 2008**
- **Electromagnetic Compatibility Regulations 2016**
- **The Restriction of the Use of Certain Hazardous Substances in Electrical and Electronic Equipment Regulations 2012**

References to the relevant harmonised standards used or references to the other technical specifications in relation to which conformity is declared:

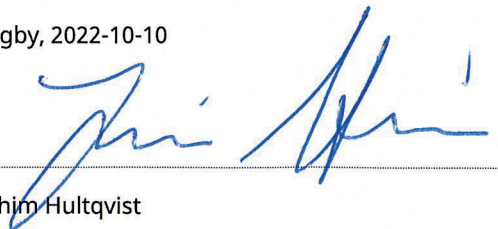
BS EN 676:2020 Excluding the requirements of Annex J/K.
Automatic forced draught burners for gaseous fuels.

Additional information can be downloaded at: www.bentone.com

Manufacturer: Enertech AB
Näsvägen 8
SE-341 34 LJUNGBY
Sweden

Approved Body: TUV SÜD BABT Unlimited
Octagon House,
Concorde Way, Segensworth North,
Fareham, Hampshire,
PO 15 5RL, United Kingdom
Approved Body Number: 0168

Ljungby, 2022-10-10



Joachim Hultqvist

Technical Manager
Enertech AB



Ola Karlsson

Quality Manager
Enertech AB

