

Bentone B2 Classic

Oil burner 3,0-11,1 kg/h (36,0-131,6 kW)

Bentone is ISO certified. All over the world Bentone burners are well known for its reliability, efficiency and performance. All Bentone burners carry the CE-mark and are manufactured in accordance with the safety standard EN 267. As leader in our line of business we put a lot of efforts in the developing of new products that meets more stringent demands.

Bentone B1 Classic is a range of modern oil burners designed for residential houses and small properties, with the latest in combustion technology. Environment and heat economy are the focus of our future. With this in mind these burners are developed to achieve a low impact on the environment and your wallet. Through a closed air system, the burner has also become very quiet, good for your environment!

The efficient combustion device ensures that the oil is almost fully consumed, the Bentone B1 Classic provides values that reach well below the European standard. Environmental regulations and changes in the oil viscosity make great demands on the production of environmentally friendly oil burners. Therefore, Bentone Prio is equipped with a new type of preheater, very gentle to, for example, environmental oil.

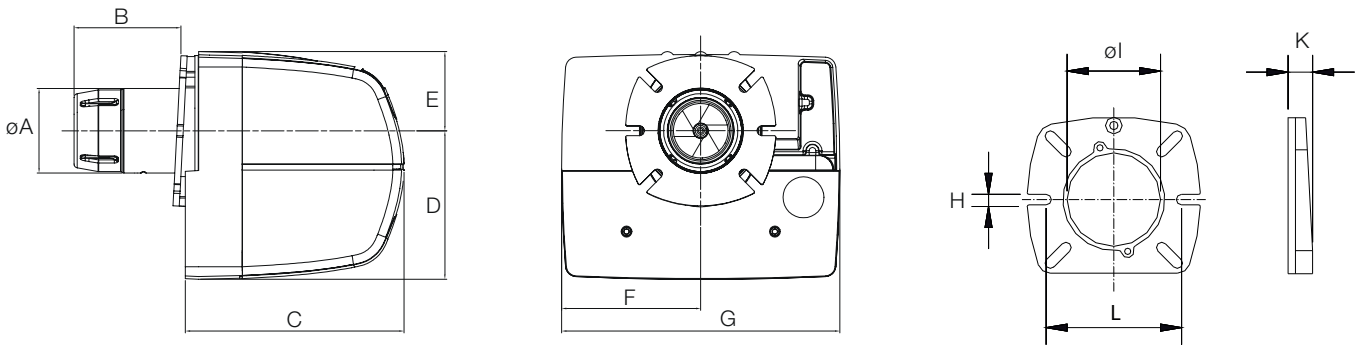
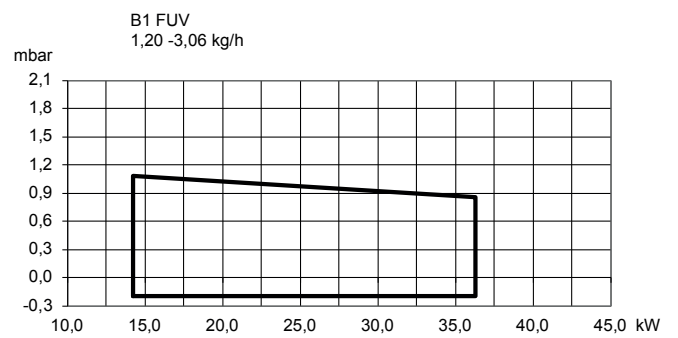
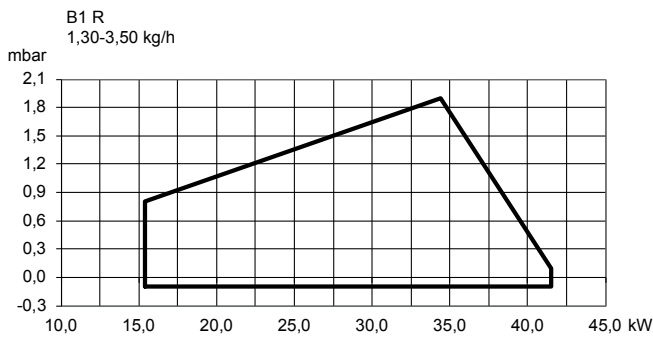
Benefits

- Energy saving and compatible with environmental requirements
- Quiet in operation and designed for easy maintenance
- Reliable and trouble free
- Designed and developed to meet the European standard EN 267
- Fully closing air damper saves energy
- Electronic transformer ensures a safer start and operation
- Plug-in contacts facilitate the installation and service. Eurostecker integrated



The picture illustrates a version of the burner type.

Type/Model		B2S	B2SV	B2KS	B2KSV	B2KA	B2KAV
Oil capacity	kg/h	3,1-8,2		3,9-11,1		2,4-9,0	
Approved capacity (according to EN267 and DIN4787 T2)	kW	37,0-97,0		46,0-131,0		28,5-106,7	
	Mcal/h						
Recommended fuel pump pressure	bar						
Max chimney pressure	mbar						
Motor (60 Hz available on request)	W/V/Hz	230/50/110					
Oil preheater			●		●		●
Adjustable burner head					●		
Oilfilter					●		



	øA	B ●	B ★	C	D	E	F	G	H	øl	J	K
R/RV	89	106	156	230	156	83	147	293	10,5	89,5	130 - 150	21
FU/FUV	89	108	78/158	230	156	83	147	293	10,5	89,5	130 - 150	21

- Standard
- ★ Option offered on request