



# Product Serial Number Guide

What the serial number means and where it is located on your product.



## Important!

The product serial number must be used to register the product in connection with warranty coverage.

When registering, enter the serial number without hyphens.

## Example of data plate


The data plate may have a different appearance depending on the product and placement.

Below you can see two different types of data plates.




Example of a product serial number: 7312-2147-0568.  
 The first four digits indicate the type of product, the second four indicate the manufacture year and week. In this example: CTC EcoAir 610M, 2021 week 47. The last four digits indicate the sequential number.

CTC ECOAIR 610M

Serienummer:  
 Serial No:  
 Herstellungsnummer: 7312-2147-0568  
 Valmistusnumero:  
 N de fabrication:



588402001731221470568

		Made in Sweden by CTC AB, Näsavägen 8, Ljungby	
Typ / Type / Typ / Malli / Modèle / Tip: EP600M Modell / Model / Model / Malli / Modèle / Model: EP612M-BA-3x400V Benämning / Designation / Bezeichnung / Nimenske / Désignation / Naziv:			
<b>CTC EcoPart 612M</b>			
TO: XXXXXXXX  Serienummer: XXXX-XXXX-XXXX Serial No: Herstellungsnummer: Valmistusnumero: N° de série: Serijska št.:  <div style="border: 1px solid black; padding: 5px; width: fit-content; margin: 5px auto;">                     &lt;streckkod Art nr Serien&gt;                 </div> XXXXXXXXXXXXXXXXXXXX	Märkeffekt / Rated Power / Leistung el / Nimellisteho / Puissance élec / Nazivna moč:  Eldata / Electrical data / Elektrische Daten / Sähköedot / Données électriques / El. napajanje:  Max drifttryck / Max op pressure / Zul. Betriebsdruck / Maksimi käyttöpaine / Pression de service max. / Maks delovna tlak (P <sub>S</sub> ):  Vattenvolym / Water Volume / Wasservolumen / Vesiläpätus / Volume d'eau / Volumen vode (V):  Max drifttemp / Max op. temp. / Max. Zul. Betriebstemp / Max käyttölämpötila / Temperatura max. / Maks delovna temperatura (TS):  För kyltekn. data, se kylmodulens skylt / See label of cooling module for data / Siehe Kälteplattenschild für Kältetechn. Daten / Tekniset tiedot: Käyttö kylmämodulin kyltti / Données frigorifiques: Voir plaque module frig. / Podaci: Glej nalepko hladilnega modula.	5,8 kW  400 V 3N ~ 50 Hz  6 bar / 0,6 MPa  4,1 L  100°C  ART NR / UTG	



## CTC EcoPart i600M

The data plate with the product's serial number is located on the front of the product, behind the magnetic strip above the touchscreen.

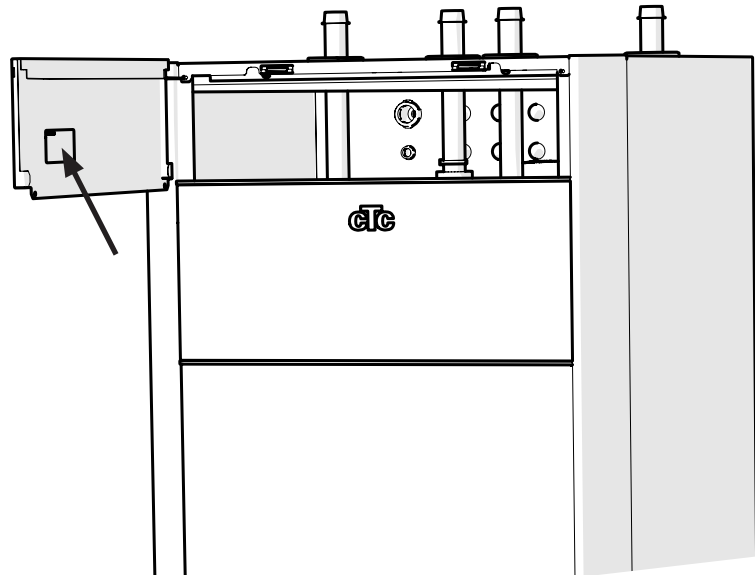
On the label below, the number will be: **730121150246**

Ex: CTC EcoPart i608M:

Seriennummer:	
Serial No:	
Herstellungsnummer:	7301-2115-0246
Valmistusnumero:	
N de fabrication:	

The product's serial number starts with:

**CTC EcoPart i600M:** 7301 XXXX XXXX



## CTC GS 600/CTC GSi 600/CTC EcoZenith i360

The data plate with the product's serial number is located on the front of the product, behind the magnetic strip, on the connection box.

On the label below, the number will be: **731020391468**

Ex: CTC GSi 608:

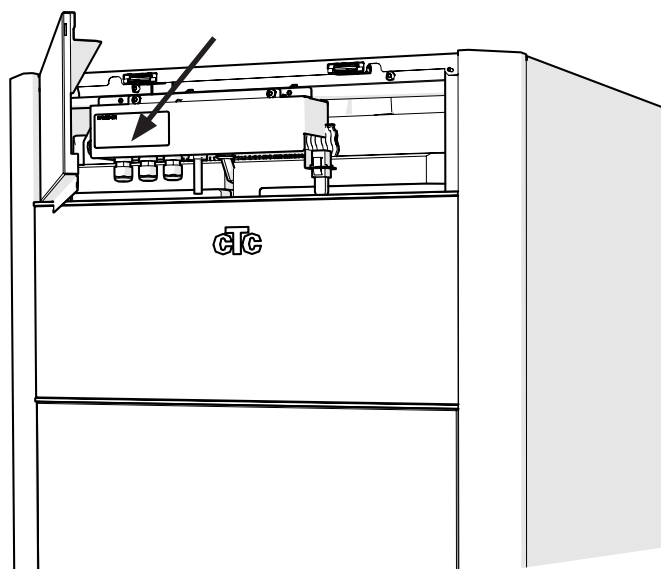
Seriennummer:	
Serial No:	
Herstellungsnummer:	7310-2039-1468
Valmistusnumero:	
N de fabrication:	

The product's serial number starts with:

**CTC GS 600:** 7310 XXXX XXXX

**CTC GSi 600:** 7310 XXXX XXXX

**CTC EcoZenith i360:** 7208 XXXX XXXX



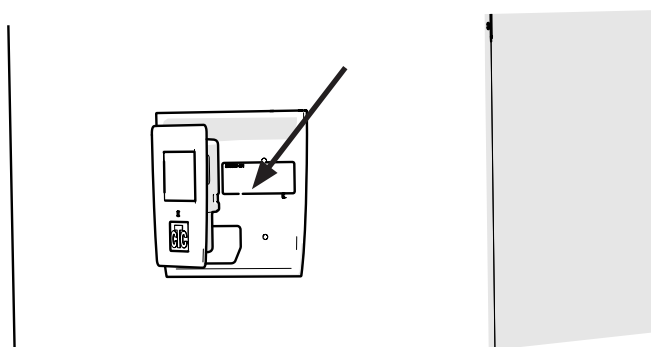
## CTC EcoHeat 400/CTC EcoPart 400 Pro/CTC GS/ CTC GSi/CTC EcoZenith i255/i250/i350

The data plate with the product's serial number is located behind the display on the front of the product. Carefully fold out the display by grasping the right edge of the display. In some rare cases, it may also be located on the top of the product, behind the cover.

On the label below, the number will be: **731020391468**

Ex: CTC EcoHeat 408:

Seriennummer:	7310-2039-1468
Serial No:	
Herstellungsnummer:	
Valmistusnumero: N de fabrication:	



The product's serial number starts with:

**CTC EcoHeat 400:** 7310 XXXX XXXX

**CTC EcoPart 400 Pro:** 7301 XXXX XXXX

**CTC GS:** 7301 XXXX XXXX

**CTC GSi:** 7310 XXXX XXXX

**CTC EcoZenith i255:** 7208 XXXX XXXX

**CTC EcoZenith i250:** 7208 XXXX XXXX

**CTC EcoZenith i350:** 7208 XXXX XXXX

## CTC EcoPart 600M/CTC EcoPart 400/ CTC EcoPart 400 Basic

The data plate with the product's serial number is located on the top of the product.

On the label below, the number will be: **730119260362**

Ex: CTC EcoPart 612M

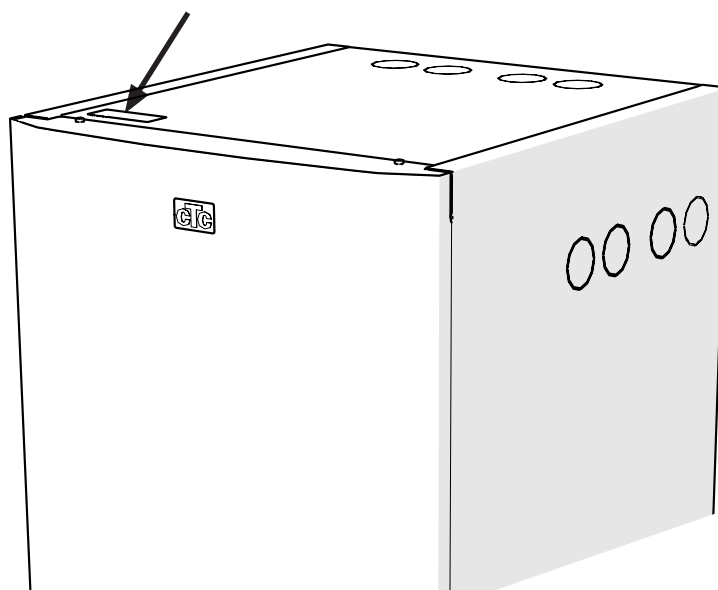
Seriennummer:	7301-1926-0362
Serial No:	
Herstellungsnummer:	
Valmistusnumero: N de fabrication:	

The product's serial number starts with:

**CTC EcoPart 600M:** 7301 XXXX XXXX

**CTC EcoPart 400:** 7301 XXXX XXXX

**CTC EcoPart 400 Basic:** 7301 XXXX XXXX





## CTC EcoZenith i555 Pro

The data plate with the product's serial number is located on the left side of the product.

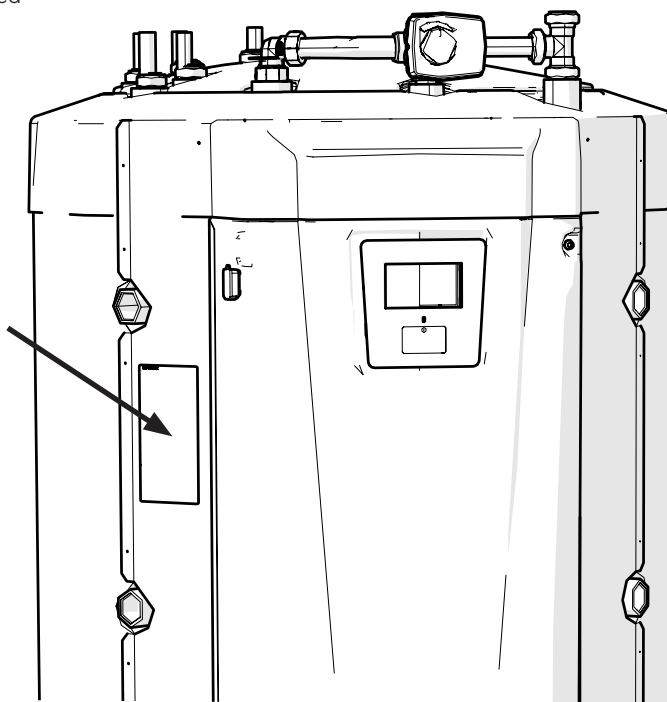
On the label below, the number will be: **725020390389**

Ex: CTC EcoZenith i555 Pro:

Seriennummer: Serial No:	
Herstellungsnummer: Valmistusnumero: N de fabrication:	7250-2039-0389

The product's serial number starts with:

**CTC EcoZenith i555 Pro:** 7250 XXXX XXXX



## CTC EcoAir 700M

The data plate with the product's serial number is located on the back of the product.

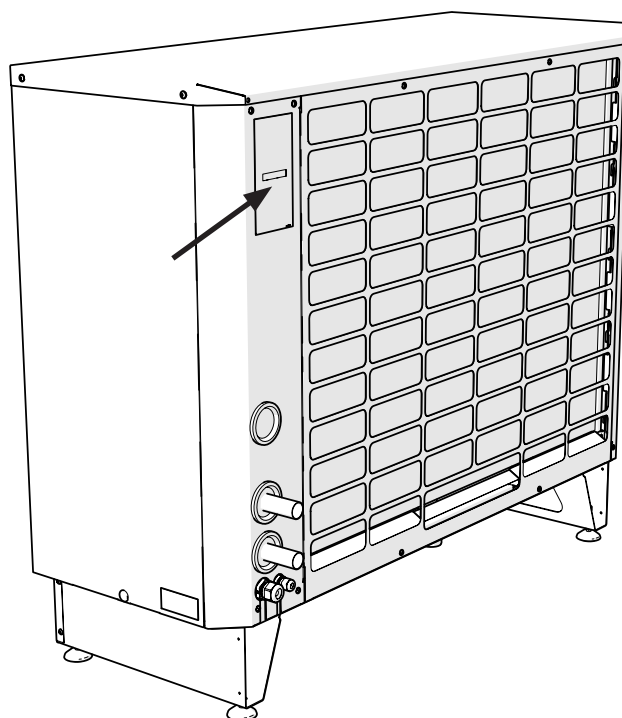
On the label below, the number will be: **731223495053**

Ex: CTC EcoAir 708M

Seriennummer: Serial No:	
Herstellungsnummer: Valmistusnumero: N de fabrication:	7312-2349-5053

The product's serial number starts with:

**CTC EcoAir 700M:** 7312 XXXX XXXX



## CTC EcoAir 400/CTC EcoAir 600M

The data plate with the product's serial number is located on the back of the product.

On the label below, the number will be: **731219140930**

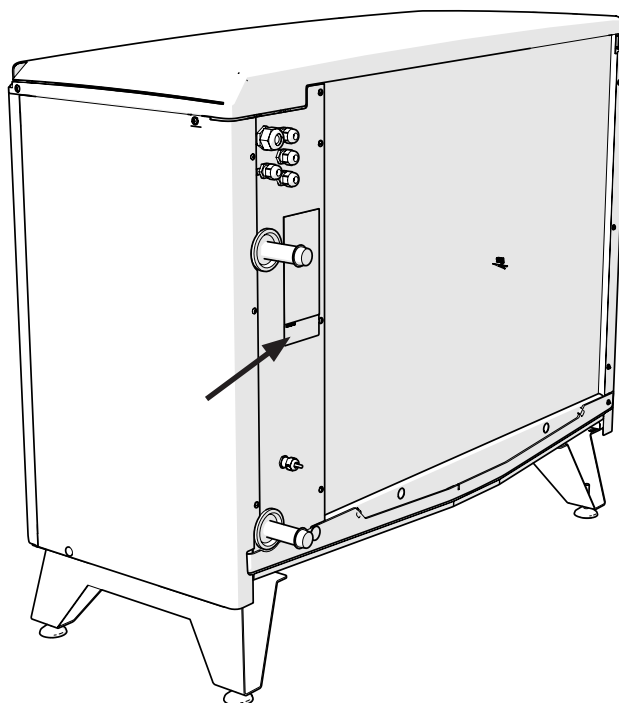
Ex: CTC EcoAir 406

Seriennummer: Serial No:	
Herstellungsnummer: Valmistusnumero:	7312-1914-0930
N de fabrication:	

The product's serial number starts with:

**CTC EcoAir 400:** 7312 XXXX XXXX

**CTC EcoAir 600M:** 7312 XXXX XXXX

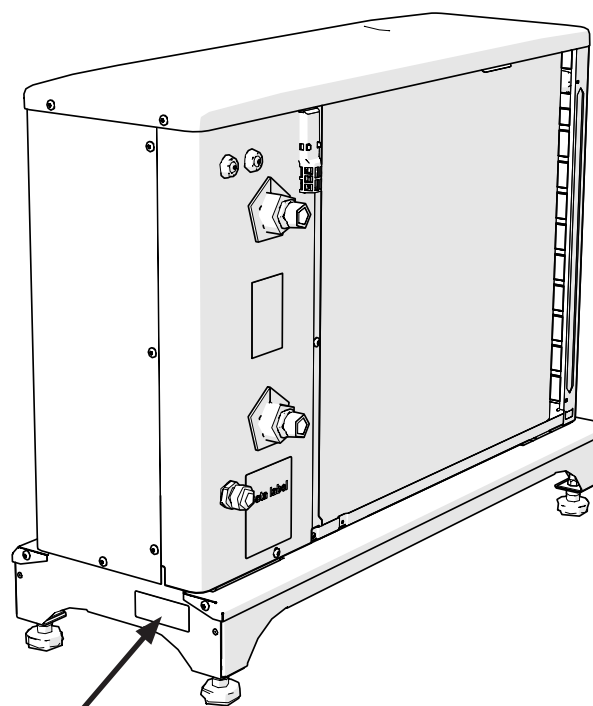


## CTC CombiAir

The data plate with the product's serial number is located on the right side of the product. The serial number can be read on the data plate. The first 2 digits are not used when registering the product.

On the label below, the number will be: **429620338001**

S/N: 06429620338001
CTC COMBIAIR 6M
06429620338001

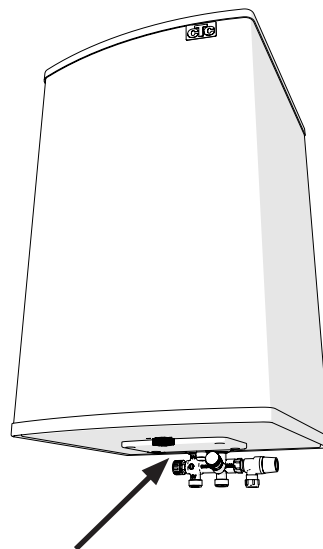




## CTC Brilliant 60/110

The data plate with the product's serial number is located on the underside of the product near the connection cable. The serial number can be read from the barcode on the data plate. Digits 5 and 6, along with the last 6 digits, together form the serial number.

On the label below, the number will be: **22035161**



## CTC Brilliant 200/300

The data plate with the product's serial number is located on the right inside, behind the front plate.

On the label below, the number will be: **722219350006**

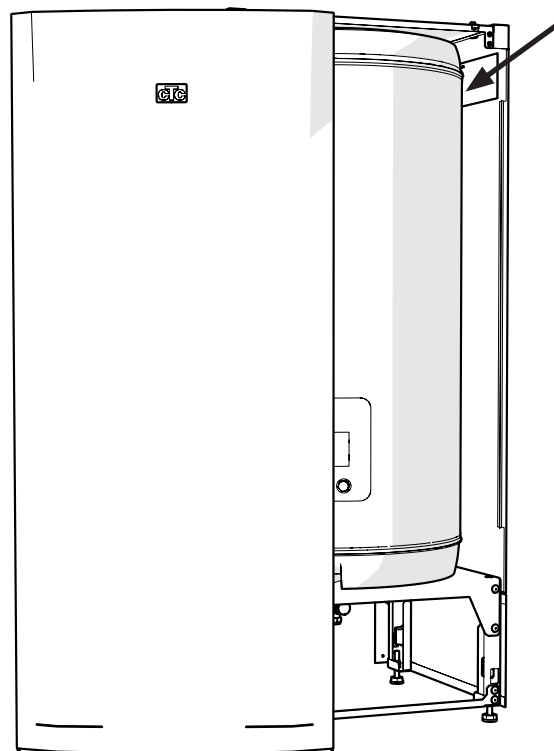
Ex: CTC Brilliant 200

Seriennummer: Serial No: Herstellungsnummer: Valmistusnumero: N de fabrication:	7222-1935-0006
---	----------------

The product's serial number starts with:

**CTC Brilliant 200:** 7222-XXXX-XXXX

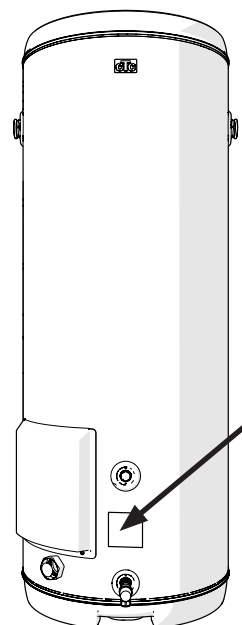
**CTC Brilliant 300:** 7222-XXXX-XXXX



## CTC Modul 300/400

The data plate with the product's serial number is located near the connections for electricity and water. The serial number can be read from the barcode on the data plate. Digits 5 and 6, along with the last 6 digits, together form the serial number.

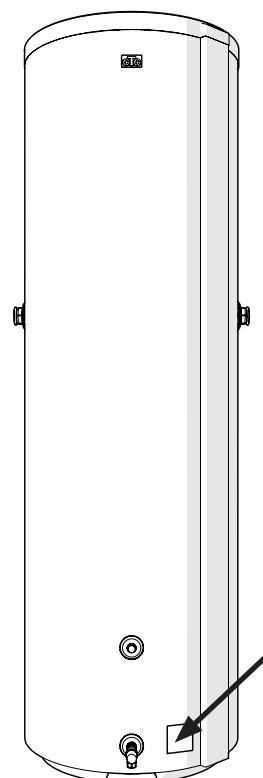
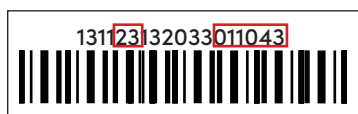
On the label below, the number will be: **23011043**



## CTC Modul 400 L

The data plate with the product's serial number is located at the bottom near the drainage. The serial number can be read from the barcode on the data plate. Digits 5 and 6, along with the last 6 digits, together form the serial number.

On the label below, the number will be: **23011043**





## CTC AT

The data plate with the product's serial number is located on the top of the product.

On the label below, the number will be: **421901**

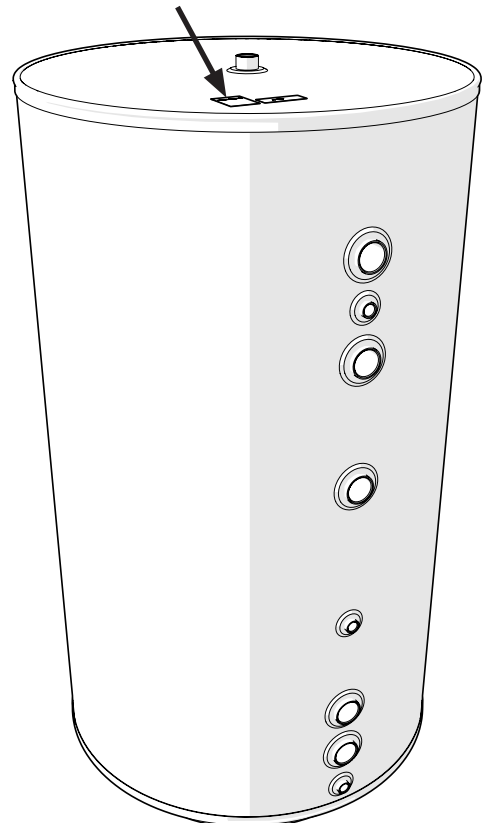
Ex: CTC AT 300

Serienummer: Serial No:	421901
Herstellungsnummer: Valmistusnumero:	
N de fabrication:	

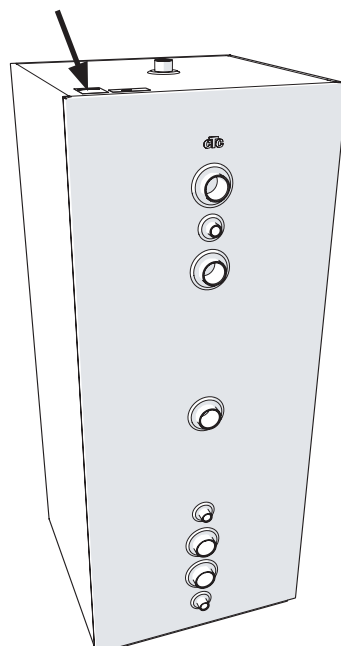
Model	CTC AT X XXXXX		
Prod No.	XXX-XXXXXXXXXX		
Serial No.	XXXXXX		
	EN 2014/68/EC §4,3		
Manufact. Date	MM-YYYY		
Vol prime side (RAD) (V)	XXX,X	lit	
Max op. press. (RAD) (PS)	X	bar	
Test pressure (RAD) (TS)	X,X	bar	
Max op. Temp	100	°C	
Vol sec side (DHW) (V)	XX,X	lit	
Max op. press. (DHW) (PS)	XX	bar	
Test pressure (DHW) (TS)	XX,X	bar	
<small>(EAN128, serienummer)</small>			
Made in Sweden by BoRö Pannan AB Bangårdsvägen 1, SE-952 31 Kalix			

CTC AT 500 6 bar: XXXXXX

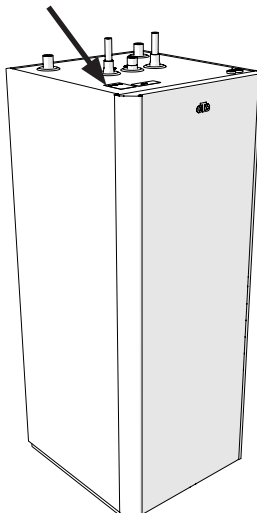
CTC AT 750-1000: XXXXXX



CTC AT 500 3 bar: XXXXXX



CTC AT 300: XXXXXX





## CTC VT 80

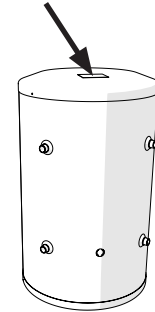
The data plate with the product's serial number is located on the top of the product.

On the label below, the number will be: **987654122**

Ex: CTC VT 80

Seriennummer:	
Serial No:	
Herstellungsnummer:	987654.122
Valmistusnumero:	
N de fabrication:	

<b>ctc</b>		Manufactured by: Enertech AB, Linnéväg 4, SE-341 34 GOLUBINAČKI PUT 1B, SERBIA	CE
Typ / Type : VT 80			
Model / Model : VT 80			
Benämning / Designation : <b>CTC VT 80</b>			
Max drifttryck / Max op. pressure (PS)	3 bar / 0.3MPa		
Vattenvolym / Water Volume (V)	81 L		
Max drifttemp / Max op. temp. (TS)	95 °C		
Serial nr.	987654.122		



## CTC VT 50/100

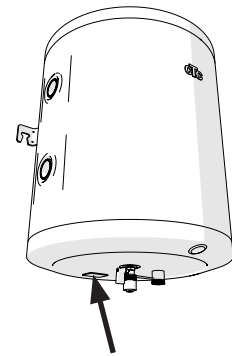
The data plate with the product's serial number is located on the underside of the product.

On the label below, the number will be: **20231030006**

Ex: CTC VT 50

Seriennummer:	
Serial No:	
Herstellungsnummer:	20231030006
Valmistusnumero:	
N de fabrication:	

<b>ctc</b>	Made by Tiki 22300 Stara Pazova Golubinački put 1B SRBIJA
Model CTC VT 100	
Type ZV100	
Volume 102 l	
T <sub>max</sub> 95 °C P <sub>max</sub> 1,0 MPa (10 bar)	
CE UK CA	Importer UK: Go Geothermal Limited Ridgeway, Newton Aycliffe, Co. Durham, DL5 6SP Phone: 01382 720228
Code: 700005/01 Ser.No: 2401000001	



## CTC VT 200C/300C

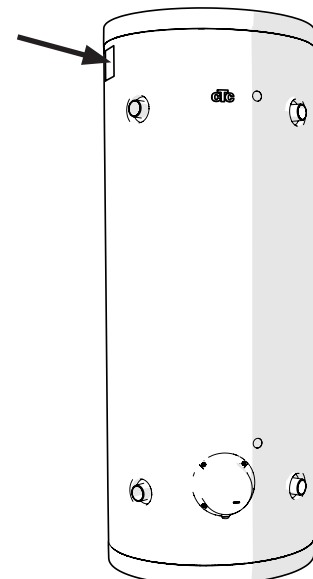
The data plate with the product's serial number is located on the left side of the product.

On the label below, the number will be: **2103019287**

Ex: CTC VT 300C

Seriennummer:	
Serial No:	
Herstellungsnummer:	2103019287
Valmistusnumero:	
N de fabrication:	

<b>ctc</b>	Made in Serbia for Enertech AB Näsavägen 8 SE-341 34 Ljungby Sweden
Model CTC VT 200C	
Type ZV200	
Volume 195 l	
T <sub>max</sub> 95 °C P <sub>max</sub> 0,6 MPa (6 bar)	
CE UK CA	Importer UK: Go Geothermal Limited Ridgeway, Newton Aycliffe, Co. Durham, DL5 6SP Phone: 01382 720228
Code: 700006/01 Ser.No: 2103019287	





## CTC EcoLogic L/M

The data plate with the product's serial number is located on the right side of the product.

On the label below, the number will be: **832024240447**

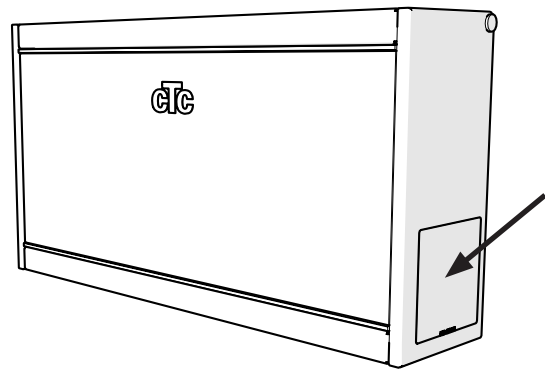
Ex: CTC EcoLogic L

Seriennummer:	
Serial No:	
Herstellungsnummer:	8320-2424-0447
Valmistusnumero:	
N de fabrication:	

The product's serial number starts with:

**CTC EcoLogic L:** 8320-XXXX-XXXX

**CTC EcoLogic M:** 8320-XXXX-XXXX



## CTC EcoLogic S

The data plate with the product's serial number is located on the back of the product.

On the label below, the number will be: **832024110187**

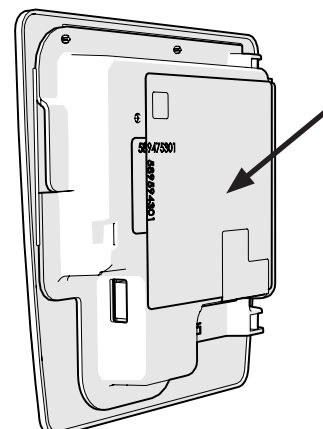
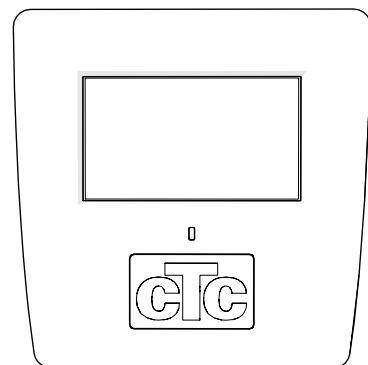
Ex: CTC EcoLogic S

Seriennummer:	
Serial No:	
Herstellungsnummer:	8320-2411-0187
Valmistusnumero:	
N de fabrication:	

The product's serial number starts with:

**CTC EcoLogic S EA:** 8320-XXXX-XXXX

**CTC EcoLogic S EP:** 8320-XXXX-XXXX



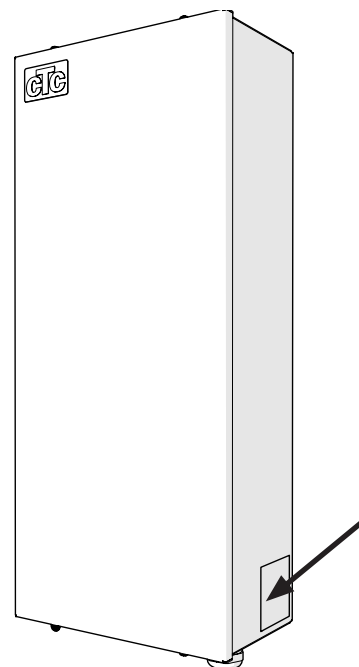
## CTC EI 9-26

The data plate with the product's serial number is located on the right side of the product.

On the label below, the number will be: **2301041503**

Ex: CTC EL 15

Seriennummer:	
Serial No:	
Herstellungsnummer:	2301-0415-03
Valmistusnumero:	
N de fabrication:	



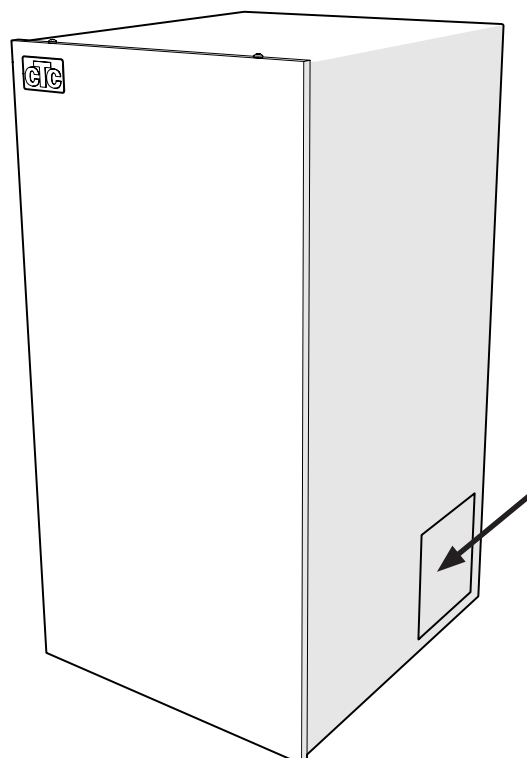
## CTC EI 42

The data plate with the product's serial number is located on the right side of the product.

On the label below, the number will be: **2310404202**

Ex: CTC EL 42

Seriennummer:	
Serial No:	
Herstellungsnummer:	2310-4042-02
Valmistusnumero:	
N de fabrication:	





**HEAT PUMPS**

